

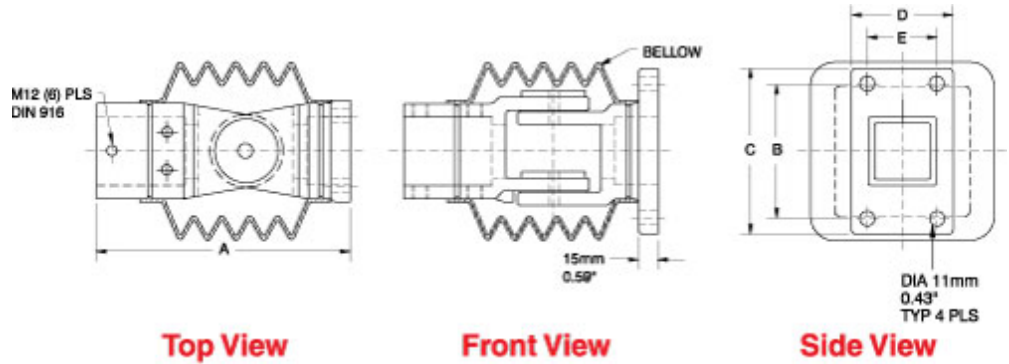


Quality Products. Service Excellence.

Heavy Duty Wall Joint *HDSSWJ Series*



- 4G-s.g. cast iron.
- Integrated movement stop.
- One piece bellow.
- Two sleeves.
- Features a rotation range of 170°.



Part No.	System	A	B	C	D	E
R147-010-000R	50	200	105	130	80	55
R147-010-200R	80	275	150	175	115	90

Tags: HDSS, joint, wall, bellow, heavy duty, suspension, operator

Data subject to change without notice

© 2025. Hammond Manufacturing Ltd. All rights reserved.