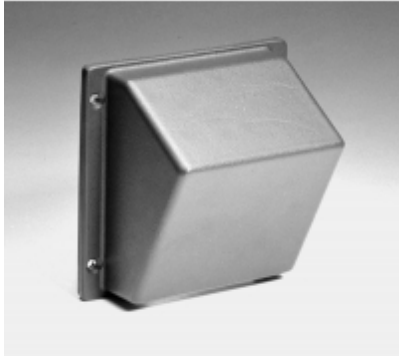


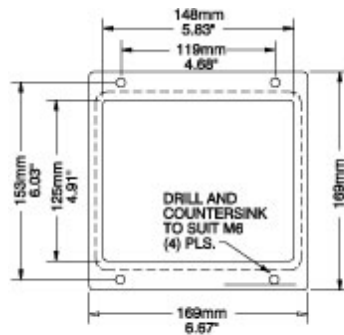


Quality Products. Service Excellence.

Heavy Duty Slope Adaptor *HDSSSA Series*



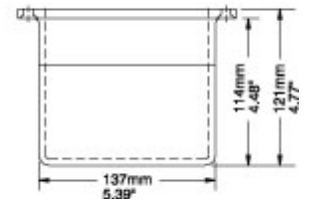
- Provides 30° or 60° incline by mounting to rear of enclosure.
- Cast aluminum.



Top View



Front View



Side View



Part No. **R140-045-000R**

Tags: HDSS, slope, adapter, heavy duty, suspension, operator

Data subject to change without notice

© 2025. Hammond Manufacturing Ltd. All rights reserved.