

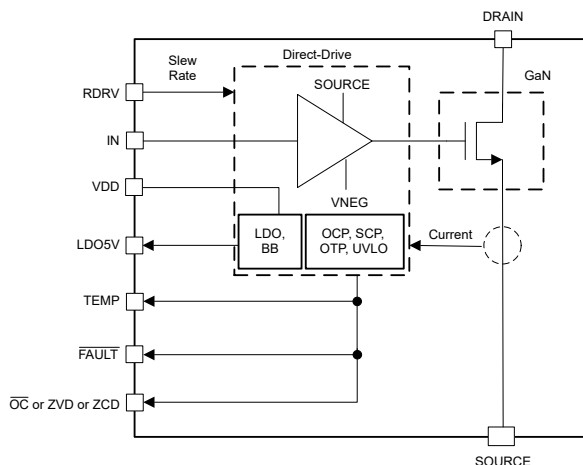
# LMG352xR030 650V 30mΩ GaN FET With Integrated Driver, Protection, and Temperature Reporting

## 1 Features

- 650V GaN-on-Si FET with integrated gate driver
  - Integrated high precision gate bias voltage
  - 200V/ns FET hold-off
  - 2MHz switching frequency
  - 20V/ns to 150V/ns slew rate for optimization of switching performance and EMI mitigation
  - Operates from 7.5V to 18V supply
- Robust protection
  - Cycle-by-cycle overcurrent and latched short-circuit protection with < 100ns response
  - Withstands 720V surge while hard-switching
  - Self-protection from internal overtemperature and UVLO monitoring
- Advanced power management
  - Digital temperature PWM output
  - LMG3526R030 includes zero-voltage detection (ZVD) feature that facilitates soft-switching converters
  - LMG3527R030 includes zero-current detection (ZCD) feature that facilitates soft-switching converters
- Top-side cooled 12mm × 12mm VQFN package separates electrical and thermal paths for lowest power loop inductance

## 2 Applications

- Switch-mode power converters
- [Merchant network and server PSU](#)
- [Merchant telecom rectifiers](#)
- Solar inverters and industrial motor drives
- Uninterruptible power supplies



**Simplified Block Diagram**

## 3 Description

The LMG352xR030 GaN FET with integrated driver and protection is targeted at switch-mode power converters and enables designers to achieve new levels of power density and efficiency.

The LMG352xR030 integrates a silicon driver that enables switching speed up to 150V/ns. TI's integrated precision gate bias results in higher switching SOA compared to discrete silicon gate drivers. This integration, combined with TI's low-inductance package, delivers clean switching and minimal ringing in hard-switching power supply topologies. Adjustable gate drive strength allows control of the slew rate from 20V/ns to 150V/ns, which can be used to actively control EMI and optimize switching performance. The LMG3526R030 includes the zero-voltage detection (ZVD) feature which provides a pulse output from the ZVD pin when zero-voltage switching is realized. The LMG3527R030 includes the zero-current detection (ZCD) feature which provides a pulse output from the ZCD pin when a positive drain-to-source current is detected.

Advanced power management features include digital temperature reporting and fault detection. The temperature of the GaN FET is reported through a variable duty cycle PWM output, which simplifies managing device loading. Faults reported include overcurrent, short-circuit, overtemperature, VDD UVLO, and high-impedance RDRV pin.

### Package Information

| PART NUMBER | PACKAGE <sup>(1)</sup> | PACKAGE SIZE <sup>(2)</sup> |
|-------------|------------------------|-----------------------------|
| LMG3522R030 | RQS (VQFN, 52)         | 12.00mm × 12.00mm           |
| LMG3526R030 |                        |                             |
| LMG3527R030 |                        |                             |

- (1) For more information, see the [Mechanical, Packaging, and Orderable Information](#) section.
- (2) The package size (length × width) is a nominal value and includes pins, where applicable.

### Device Information

| PART NUMBER | ZERO-VOLTAGE DETECTION FEATURE | ZERO-CURRENT DETECTION FEATURE |
|-------------|--------------------------------|--------------------------------|
| LMG3522R030 | —                              | —                              |
| LMG3526R030 | Yes                            | —                              |
| LMG3527R030 | —                              | Yes                            |



## Table of Contents

|                                                  |    |                                                                  |    |
|--------------------------------------------------|----|------------------------------------------------------------------|----|
| <b>1 Features</b> .....                          | 1  | 7.4 Start-Up Sequence.....                                       | 35 |
| <b>2 Applications</b> .....                      | 1  | 7.5 Device Functional Modes.....                                 | 36 |
| <b>3 Description</b> .....                       | 1  | <b>8 Application and Implementation</b> .....                    | 37 |
| <b>4 Pin Configuration and Functions</b> .....   | 3  | 8.1 Application Information.....                                 | 37 |
| <b>5 Specifications</b> .....                    | 6  | 8.2 Typical Application.....                                     | 38 |
| 5.1 Absolute Maximum Ratings.....                | 6  | 8.3 Do's and Don'ts.....                                         | 42 |
| 5.2 ESD Ratings.....                             | 7  | 8.4 Power Supply Recommendations.....                            | 42 |
| 5.3 Recommended Operating Conditions.....        | 7  | 8.5 Layout.....                                                  | 44 |
| 5.4 Thermal Information.....                     | 7  | <b>9 Device and Documentation Support</b> .....                  | 48 |
| 5.5 Electrical Characteristics.....              | 8  | 9.1 Documentation Support.....                                   | 48 |
| 5.6 Switching Characteristics.....               | 10 | 9.2 Receiving Notification of Documentation Updates... 48        |    |
| 5.7 Typical Characteristics.....                 | 12 | 9.3 Support Resources.....                                       | 48 |
| <b>6 Parameter Measurement Information</b> ..... | 14 | 9.4 Trademarks.....                                              | 48 |
| 6.1 Switching Parameters.....                    | 14 | 9.5 Electrostatic Discharge Caution.....                         | 48 |
| 6.2 Safe Operation Area (SOA).....               | 17 | 9.6 Export Control Notice.....                                   | 48 |
| <b>7 Detailed Description</b> .....              | 18 | 9.7 Glossary.....                                                | 48 |
| 7.1 Overview.....                                | 18 | <b>10 Revision History</b> .....                                 | 49 |
| 7.2 Functional Block Diagram.....                | 19 | <b>11 Mechanical, Packaging, and Orderable Information</b> ..... | 49 |
| 7.3 Feature Description.....                     | 22 |                                                                  |    |

## 4 Pin Configuration and Functions

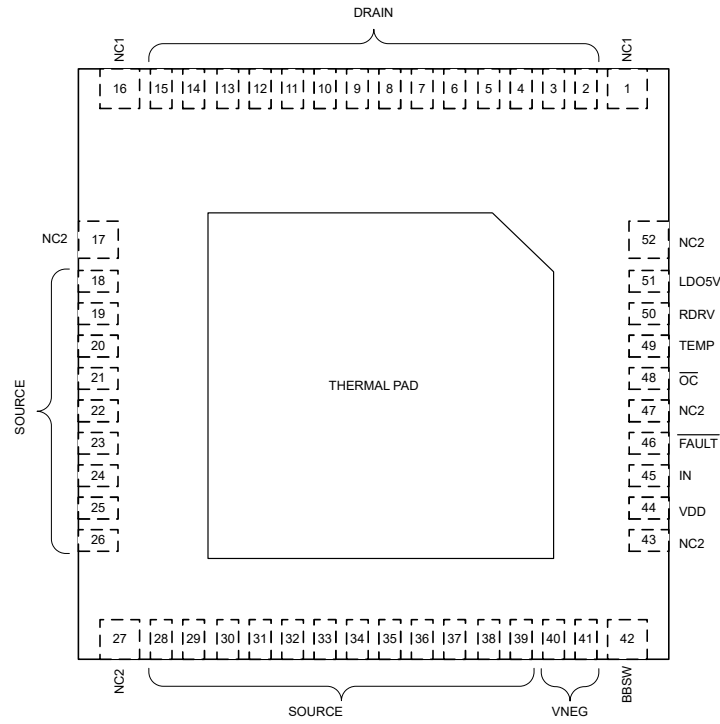


Figure 4-1. LMG3522R030 RQS Package, 52-Pin VQFN (Top View)

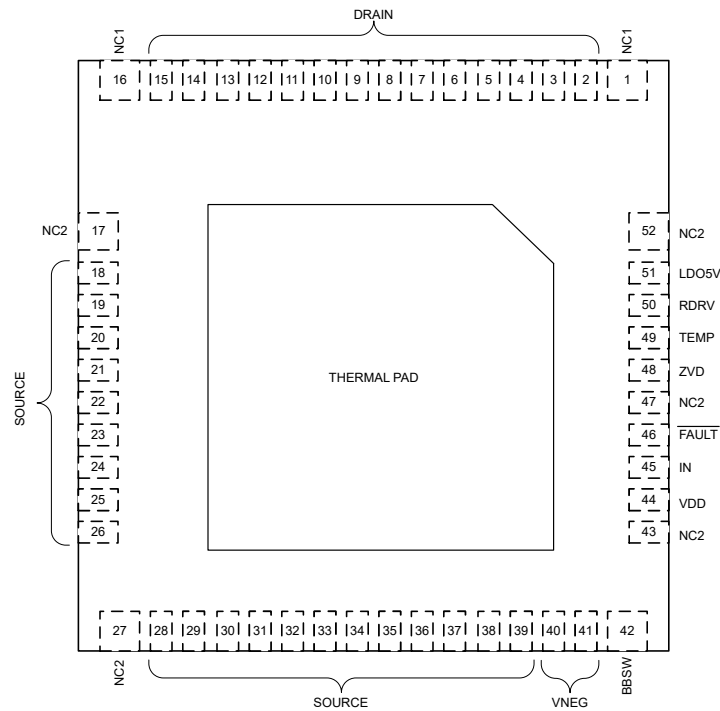
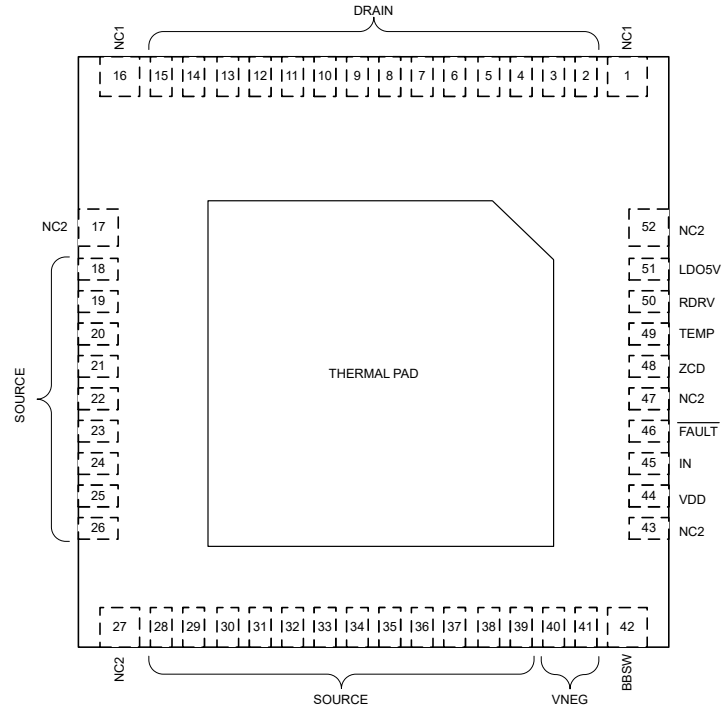


Figure 4-2. LMG3526R030 RQS Package, 52-Pin VQFN (Top View)



**Figure 4-3. LMG3527R030 RQS Package, 52-Pin VQFN (Top View)**

**Table 4-1. Pin Functions**

| NAME            | PIN                |                    |                    | TYPE <sup>(1)</sup> | DESCRIPTION                                                                                                                                                                                                                                             |
|-----------------|--------------------|--------------------|--------------------|---------------------|---------------------------------------------------------------------------------------------------------------------------------------------------------------------------------------------------------------------------------------------------------|
|                 | LMG3522R030        | LMG3526R030        | LMG3527R030        |                     |                                                                                                                                                                                                                                                         |
| NC1             | 1, 16              | 1, 16              | 1, 16              | —                   | Used to anchor QFN package to PCB. Pins must be soldered to PCB landing pads. The PCB landing pads are non-solder mask defined pads and must not be physically connected to any other metal on the PCB. Internally connected to DRAIN.                  |
| DRAIN           | 2–15               | 2–15               | 2–15               | P                   | GaN FET drain. Internally connected to NC1.                                                                                                                                                                                                             |
| NC2             | 17, 27, 43, 47, 52 | 17, 27, 43, 47, 52 | 17, 27, 43, 47, 52 | —                   | Used to anchor QFN package to PCB. Pins must be soldered to PCB landing pads. The PCB landing pads are non-solder mask defined pads and must not be physically connected to any other metal on the PCB. Internally connected to SOURCE and THERMAL PAD. |
| SOURCE          | 18–26, 28–39       | 18–26, 28–39       | 18–26, 28–39       | P                   | GaN FET source. Internally connected to NC2 and THERMAL PAD.                                                                                                                                                                                            |
| VNEG            | 40, 41             | 40, 41             | 40, 41             | P                   | Internal buck-boost converter negative output. Used as the negative supply to turn off the depletion mode GaN FET. Bypass to SOURCE with a 2.2µF capacitor.                                                                                             |
| BBSW            | 42                 | 42                 | 42                 | P                   | Internal buck-boost converter switch pin. Connect an inductor from this point to SOURCE.                                                                                                                                                                |
| VDD             | 44                 | 44                 | 44                 | P                   | Device input supply.                                                                                                                                                                                                                                    |
| IN              | 45                 | 45                 | 45                 | I                   | CMOS-compatible non-inverting input used to turn the FET on and off.                                                                                                                                                                                    |
| FAULT           | 46                 | 46                 | 46                 | O                   | Push-pull digital output that asserts low during a fault condition. Refer to <a href="#">Fault Detection</a> for details.                                                                                                                               |
| $\overline{OC}$ | 48                 | —                  | —                  | O                   | Push-pull digital output that asserts low during overcurrent and short-circuit fault conditions. Refer to <a href="#">Fault Detection</a> for details.                                                                                                  |
| ZVD             | —                  | 48                 | —                  | O                   | Push-pull digital output that provides zero-voltage detection signal to indicate if device achieves zero-voltage switching in current switching cycle. Refer to <a href="#">Zero-Voltage Detection (ZVD) (LMG3526R030 only)</a> for details.            |
| ZCD             | —                  | —                  | 48                 | O                   | Push-pull digital output that provides zero-current detection signal when a positive drain-to-source current is detected. Refer to <a href="#">Zero-Current Detection (ZCD) (LMG3527R030 only)</a> for details.                                         |
| TEMP            | 49                 | 49                 | 49                 | O                   | Push-pull digital output that gives information about the GaN FET temperature. Outputs a fixed 9kHz pulsed waveform. The device temperature is encoded as the duty cycle of the waveform.                                                               |
| RDRV            | 50                 | 50                 | 50                 | I                   | Drive-strength selection pin. Connect a resistor from this pin to SOURCE to set the turn-on drive strength to control slew rate. Tie the pin to SOURCE to enable 150V/ns and tie the pin to LDO5V to enable 100V/ns.                                    |
| LDO5V           | 51                 | 51                 | 51                 | P                   | 5V LDO output for external digital isolator. If using this externally, connect a 0.1µF or greater capacitor to SOURCE.                                                                                                                                  |
| THERMAL PAD     | —                  | —                  | —                  | —                   | Thermal pad. Internally connected to SOURCE and NC2.                                                                                                                                                                                                    |

(1) I = input, O = output, P = power

## 5 Specifications

### 5.1 Absolute Maximum Ratings

Unless otherwise noted: voltages are respect to SOURCE<sup>(1)</sup>

|                            |                                                                                          | MIN                                     | MAX                  | UNIT                    |   |
|----------------------------|------------------------------------------------------------------------------------------|-----------------------------------------|----------------------|-------------------------|---|
| V <sub>DS</sub>            | Drain-source voltage, FET off                                                            |                                         | 650                  | V                       |   |
| V <sub>DS(surge)</sub>     | Drain-source voltage, FET switching, surge condition <sup>(2)</sup>                      |                                         | 720                  | V                       |   |
| V <sub>DS(tr)(surge)</sub> | Drain-source transient ringing peak voltage, FET off, surge condition <sup>(2) (3)</sup> |                                         | 800                  | V                       |   |
|                            | Pin voltage                                                                              | V <sub>DD</sub>                         | -0.3                 | 20                      | V |
|                            |                                                                                          | LDO5V                                   | -0.3                 | 5.5                     | V |
|                            |                                                                                          | VNEG                                    | -16                  | 0.5                     | V |
|                            |                                                                                          | BBSW                                    | V <sub>VNEG</sub> -1 | V <sub>VDD</sub> +0.5   | V |
|                            |                                                                                          | IN                                      | -0.3                 | 20                      | V |
|                            |                                                                                          | FAULT, $\overline{OC}$ , ZVD, ZCD, TEMP | -0.3                 | V <sub>LDO5V</sub> +0.3 | V |
|                            |                                                                                          | RDRV                                    | -0.3                 | 5.5                     | V |
| I <sub>D(RMS)</sub>        | Drain RMS current, FET on                                                                |                                         | 55                   | A                       |   |
| I <sub>D(pulse)</sub>      | Drain pulsed current, FET on, t <sub>p</sub> < 10μs <sup>(4)</sup>                       | -125                                    | Internally limited   | A                       |   |
| I <sub>S(pulse)</sub>      | Source pulsed current, FET off, t <sub>p</sub> < 1μs                                     |                                         | 80                   | A                       |   |
| T <sub>J</sub>             | Operating junction temperature <sup>(5)</sup>                                            | -40                                     | 150                  | °C                      |   |
| T <sub>stg</sub>           | Storage temperature                                                                      | -55                                     | 150                  | °C                      |   |

- (1) Operation outside the Absolute Maximum Ratings may cause permanent device damage. Absolute Maximum Ratings do not imply functional operation of the device at these or any other conditions beyond those listed under Recommended Operating Conditions. If used outside the Recommended Operating Conditions but within the Absolute Maximum Ratings, the device may not be fully functional, and this may affect device reliability, functionality, performance, and shorten the device lifetime.
- (2) See [Section 7.3.3](#) for an explanation of the switching cycle drain-source voltage ratings.
- (3) t<sub>1</sub> < 200ns in [Figure 7-1](#).
- (4) The positive pulsed current must remain below the overcurrent threshold to avoid the FET being automatically shut off. The FET drain intrinsic positive pulsed current rating for t<sub>p</sub> < 10μs is 120A.
- (5) Refer to the Electrical and Switching Characteristics Tables for junction temperature test conditions.

## 5.2 ESD Ratings

| PARAMETER          |                         |                                                                       | VALUE | UNIT |
|--------------------|-------------------------|-----------------------------------------------------------------------|-------|------|
| V <sub>(ESD)</sub> | Electrostatic discharge | Human-body model (HBM), per ANSI/ESDA/JEDEC JS-001 <sup>(1)</sup>     | ±2000 | V    |
|                    |                         | Charged-device model (CDM), per ANSI/ESDA/JEDEC JS-002 <sup>(2)</sup> | ±500  | V    |

(1) JEDEC document JEP155 states that 500-V HBM allows safe manufacturing with a standard ESD control process.

(2) JEDEC document JEP157 states that 250-V CDM allows safe manufacturing with a standard ESD control process.

## 5.3 Recommended Operating Conditions

Unless otherwise noted: voltages are respect to SOURCE

|                     |                                                                            |                                                                        | MIN | NOM | MAX | UNIT |
|---------------------|----------------------------------------------------------------------------|------------------------------------------------------------------------|-----|-----|-----|------|
|                     | Supply voltage                                                             | VDD<br>(Maximum switching frequency derated for V <sub>VDD</sub> < 9V) | 7.5 | 12  | 18  | V    |
|                     | Input voltage                                                              | IN                                                                     | 0   | 5   | 18  | V    |
| I <sub>D(RMS)</sub> | Drain RMS current                                                          |                                                                        |     |     | 38  | A    |
|                     | Positive source current                                                    | LDO5V                                                                  |     |     | 25  | mA   |
| R <sub>RDRV</sub>   | RDRV to SOURCE resistance from external slew-rate control resistor         |                                                                        | 0   |     | 500 | kΩ   |
| C <sub>VNEG</sub>   | VNEG to SOURCE capacitance from external bypass capacitor                  |                                                                        | 1   |     | 10  | μF   |
| L <sub>BBSW</sub>   | BBSW to SOURCE inductance from external buck-boost inductor <sup>(1)</sup> |                                                                        | 3   | 4.7 | 10  | μH   |

(1) > 1A current rating is recommended.

## 5.4 Thermal Information

| THERMAL METRIC <sup>(1)</sup> |                                           | LMG352xR030 | UNIT |
|-------------------------------|-------------------------------------------|-------------|------|
|                               |                                           | RQS (VQFN)  |      |
|                               |                                           | 52 PINS     |      |
| R <sub>θJC(top)</sub>         | Junction-to-case (top) thermal resistance | 0.28        | °C/W |

(1) For more information about traditional and new thermal metrics, see the [Semiconductor and IC Package Thermal Metrics](#) application report.

## 5.5 Electrical Characteristics

Unless otherwise noted: voltage, resistance, capacitance, and inductance are respect to SOURCE;  $-40^{\circ}\text{C} \leq T_J \leq 125^{\circ}\text{C}$ ;  $V_{DS} = 520\text{V}$ ;  $9\text{V} \leq V_{VDD} \leq 18\text{V}$ ;  $V_{IN} = 0\text{V}$ ; RDRV connected to LDO5V;  $L_{BBSW} = 4.7\mu\text{H}$

| PARAMETER                                 |                                                                                                          | TEST CONDITIONS                                                | MIN  | TYP  | MAX  | UNIT          |
|-------------------------------------------|----------------------------------------------------------------------------------------------------------|----------------------------------------------------------------|------|------|------|---------------|
| <b>GAN POWER TRANSISTOR</b>               |                                                                                                          |                                                                |      |      |      |               |
| $R_{DS(on)}$                              | Drain-source on resistance                                                                               | $V_{IN} = 5\text{V}, T_J = 25^{\circ}\text{C}$                 |      | 26   | 35   | m $\Omega$    |
|                                           |                                                                                                          | $V_{IN} = 5\text{V}, T_J = 125^{\circ}\text{C}$                |      | 45   |      |               |
| $V_{SD}$                                  | Third-quadrant mode source-drain voltage                                                                 | $I_S = 0.1\text{A}$                                            |      | 3.6  |      | V             |
|                                           |                                                                                                          | $I_S = 20\text{A}$                                             | 3    | 5    |      |               |
| $I_{DSS}$                                 | Drain leakage current                                                                                    | $V_{DS} = 650\text{V}, T_J = 25^{\circ}\text{C}$               |      | 1    |      | $\mu\text{A}$ |
|                                           |                                                                                                          | $V_{DS} = 650\text{V}, T_J = 125^{\circ}\text{C}$              |      | 10   |      |               |
| $C_{OSS}$                                 | Output capacitance                                                                                       | $V_{DS} = 400\text{V}$                                         |      | 235  |      | pF            |
| $C_{O(er)}$                               | Energy related effective output capacitance                                                              | $V_{DS} = 0\text{V to } 400\text{V}$                           |      | 320  |      | pF            |
| $C_{O(tr)}$                               | Time related effective output capacitance                                                                |                                                                |      | 460  |      | pF            |
| $Q_{OSS}$                                 | Output charge                                                                                            |                                                                |      | 190  |      | nC            |
| $Q_{RR}$                                  | Reverse recovery charge                                                                                  |                                                                |      | 0    |      | nC            |
| <b>VDD – SUPPLY CURRENTS</b>              |                                                                                                          |                                                                |      |      |      |               |
|                                           | $V_{DD}$ quiescent current                                                                               | $V_{VDD} = 12\text{V}, V_{IN} = 0\text{V or } 5\text{V}$       |      | 700  | 1200 | $\mu\text{A}$ |
|                                           | $V_{DD}$ operating current                                                                               | $V_{VDD} = 12\text{V}, f_{IN} = 140\text{kHz, soft-switching}$ |      | 15.5 | 20   | mA            |
| <b>BUCK BOOST CONVERTER</b>               |                                                                                                          |                                                                |      |      |      |               |
|                                           | VNEG output voltage                                                                                      | VNEG sinking 40mA                                              |      | -14  |      | V             |
| $I_{BBSW,PK(low)}$                        | Peak BBSW sourcing current at low peak current mode setting (peak external buck-boost inductor current)  |                                                                | 0.3  | 0.4  | 0.5  | A             |
| $I_{BBSW,PK(high)}$                       | Peak BBSW sourcing current at high peak current mode setting (peak external buck-boost inductor current) |                                                                | 0.8  | 1    | 1.2  | A             |
|                                           | High peak current mode setting enable – IN positive-going threshold frequency                            |                                                                | 280  | 420  | 515  | kHz           |
| <b>LDO5V</b>                              |                                                                                                          |                                                                |      |      |      |               |
|                                           | Output voltage                                                                                           | LDO5V sourcing 25mA                                            | 4.75 | 5    | 5.25 | V             |
|                                           | Short-circuit current                                                                                    |                                                                | 25   | 50   | 100  | mA            |
| <b>IN</b>                                 |                                                                                                          |                                                                |      |      |      |               |
| $V_{IN,IT+}$                              | Positive-going input threshold voltage                                                                   |                                                                | 1.7  | 1.9  | 2.45 | V             |
| $V_{IN,IT-}$                              | Negative-going input threshold voltage                                                                   |                                                                | 0.7  | 1    | 1.3  | V             |
|                                           | Input threshold hysteresis                                                                               |                                                                | 0.7  | 0.9  | 1.3  | V             |
|                                           | Input pull-down resistance                                                                               | $V_{IN} = 2\text{V}$                                           | 100  | 150  | 200  | k $\Omega$    |
| <b>FAULT, OC/ZVD, TEMP – OUTPUT DRIVE</b> |                                                                                                          |                                                                |      |      |      |               |
|                                           | Low-level output voltage                                                                                 | Output sinking 8mA                                             |      | 0.16 | 0.4  | V             |
|                                           | High-level output voltage                                                                                | Output sourcing 8mA, measured as $V_{LDO5V} - V_O$             |      | 0.2  | 0.45 | V             |
| <b>VDD, VNEG – UNDERVOLTAGE LOCKOUT</b>   |                                                                                                          |                                                                |      |      |      |               |
| $V_{VDD,T+ (UVLO)}$                       | VDD UVLO – positive-going threshold voltage                                                              |                                                                | 6.4  | 7    | 7.6  | V             |
|                                           | VDD UVLO – negative-going threshold voltage                                                              |                                                                | 6    | 6.5  | 7.1  | V             |
|                                           | VDD UVLO – input threshold voltage hysteresis                                                            |                                                                |      | 510  |      | mV            |

## 5.5 Electrical Characteristics (continued)

Unless otherwise noted: voltage, resistance, capacitance, and inductance are respect to SOURCE;  $-40^{\circ}\text{C} \leq T_J \leq 125^{\circ}\text{C}$ ;  $V_{DS} = 520\text{V}$ ;  $9\text{V} \leq V_{VDD} \leq 18\text{V}$ ;  $V_{IN} = 0\text{V}$ ; RDRV connected to LDO5V;  $L_{BBSW} = 4.7\mu\text{H}$

| PARAMETER                       |                                                                 | TEST CONDITIONS                                                                                                                                                                                                                     | MIN   | TYP    | MAX   | UNIT               |
|---------------------------------|-----------------------------------------------------------------|-------------------------------------------------------------------------------------------------------------------------------------------------------------------------------------------------------------------------------------|-------|--------|-------|--------------------|
|                                 | VNEG UVLO – negative-going threshold voltage                    |                                                                                                                                                                                                                                     | -13.6 | -13.0  | -12.3 | V                  |
|                                 | VNEG UVLO – positive-going threshold voltage                    |                                                                                                                                                                                                                                     | -13.3 | -12.75 | -12.1 | V                  |
| <b>GATE DRIVER</b>              |                                                                 |                                                                                                                                                                                                                                     |       |        |       |                    |
|                                 | Turn-on slew rate                                               | From $V_{DS} < 320\text{V}$ to $V_{DS} < 80\text{V}$ , RDRV disconnected from LDO5V, $R_{RDRV} = 300\text{k}\Omega$ , $T_J = 25^{\circ}\text{C}$ , $V_{BUS} = 400\text{V}$ , $L_{HB}$ current = 10A, see <a href="#">Figure 6-1</a> |       | 20     |       | V/ns               |
|                                 |                                                                 | From $V_{DS} < 320\text{V}$ to $V_{DS} < 80\text{V}$ , RDRV tied to LDO5V, $T_J = 25^{\circ}\text{C}$ , $V_{BUS} = 400\text{V}$ , $L_{HB}$ current = 10A, see <a href="#">Figure 6-1</a>                                            |       | 90     |       | V/ns               |
|                                 |                                                                 | From $V_{DS} < 320\text{V}$ to $V_{DS} < 80\text{V}$ , RDRV disconnected from LDO5V, $R_{RDRV} = 0\Omega$ , $T_J = 25^{\circ}\text{C}$ , $V_{BUS} = 400\text{V}$ , $L_{HB}$ current = 10A, see <a href="#">Figure 6-1</a>           |       | 150    |       | V/ns               |
|                                 | Maximum GaN FET switching frequency                             | $V_{NEG}$ rising to $> -13.25\text{V}$ , soft-switched, maximum switching frequency derated for $V_{VDD} < 9\text{V}$                                                                                                               | 2     |        |       | MHz                |
| <b>FAULTS</b>                   |                                                                 |                                                                                                                                                                                                                                     |       |        |       |                    |
| $I_{T(OC)}$                     | DRAIN overcurrent fault – threshold current                     |                                                                                                                                                                                                                                     | 60    | 70     | 80    | A                  |
| $I_{T(SC)}$                     | DRAIN short-circuit fault – threshold current                   |                                                                                                                                                                                                                                     | 75    | 90     | 105   | A                  |
| $di/dt_{T(SC)}$                 | di/dt threshold between overcurrent and short-circuit faults    |                                                                                                                                                                                                                                     | 150   |        |       | A/ $\mu\text{s}$   |
|                                 | GaN temperature fault – positive-going threshold temperature    |                                                                                                                                                                                                                                     |       | 175    |       | $^{\circ}\text{C}$ |
|                                 | GaN temperature fault – threshold temperature hysteresis        |                                                                                                                                                                                                                                     |       | 30     |       | $^{\circ}\text{C}$ |
|                                 | Driver temperature fault – positive-going threshold temperature |                                                                                                                                                                                                                                     |       | 185    |       | $^{\circ}\text{C}$ |
|                                 | Driver temperature fault – threshold temperature hysteresis     |                                                                                                                                                                                                                                     |       | 20     |       | $^{\circ}\text{C}$ |
| <b>TEMP</b>                     |                                                                 |                                                                                                                                                                                                                                     |       |        |       |                    |
|                                 | Output frequency                                                |                                                                                                                                                                                                                                     | 4.3   | 9      | 14    | kHz                |
|                                 | Output PWM duty cycle                                           | GaN $T_J = 150^{\circ}\text{C}$                                                                                                                                                                                                     |       | 82     |       | %                  |
|                                 |                                                                 | GaN $T_J = 125^{\circ}\text{C}$                                                                                                                                                                                                     | 58.5  | 64.6   | 70    |                    |
|                                 |                                                                 | GaN $T_J = 85^{\circ}\text{C}$                                                                                                                                                                                                      | 36.2  | 40     | 43.7  |                    |
|                                 |                                                                 | GaN $T_J = 25^{\circ}\text{C}$                                                                                                                                                                                                      | 0.3   | 3      | 6     |                    |
| <b>IDEAL-DIODE MODE CONTROL</b> |                                                                 |                                                                                                                                                                                                                                     |       |        |       |                    |
| $V_{T(3rd)}$                    | Drain-source third-quadrant detection – threshold voltage       |                                                                                                                                                                                                                                     | -0.15 | 0      | 0.15  | V                  |
| $I_{T(ZC)}$                     | Drain zero-current detection – threshold current                | $0^{\circ}\text{C} \leq T_J \leq 125^{\circ}\text{C}$                                                                                                                                                                               | -0.2  | 0      | 0.2   | A                  |
|                                 |                                                                 | $-40^{\circ}\text{C} \leq T_J \leq 0^{\circ}\text{C}$                                                                                                                                                                               | -0.35 | 0      | 0.35  |                    |

## 5.6 Switching Characteristics

Unless otherwise noted: voltage, resistance, capacitance, and inductance are respect to SOURCE;  $-40^{\circ}\text{C} \leq T_J \leq 125^{\circ}\text{C}$ ;  $V_{DS} = 520\text{V}$ ;  $9\text{V} \leq V_{VDD} \leq 18\text{V}$ ;  $V_{IN} = 0\text{V}$ ; RDRV connected to LDO5V;  $L_{BBSW} = 4.7\mu\text{H}$

| PARAMETER                             |                                                                            | TEST CONDITIONS                                                                                                                                                                  | MIN | TYP | MAX | UNIT          |
|---------------------------------------|----------------------------------------------------------------------------|----------------------------------------------------------------------------------------------------------------------------------------------------------------------------------|-----|-----|-----|---------------|
| <b>SWITCHING TIMES</b>                |                                                                            |                                                                                                                                                                                  |     |     |     |               |
| $t_{d(on)}$<br>( $I_{drain}$ )        | Drain-current turn-on delay time                                           | From $V_{IN} > V_{IN,IT+}$ to $I_D > 1\text{A}$ , $V_{BUS} = 400\text{V}$ , $L_{HB}$ current = 10A, see <a href="#">Figure 6-1</a> and <a href="#">Figure 6-2</a>                |     | 28  | 42  | ns            |
| $t_{d(on)}$                           | Turn-on delay time                                                         | From $V_{IN} > V_{IN,IT+}$ to $V_{DS} < 320\text{V}$ , $V_{BUS} = 400\text{V}$ , $L_{HB}$ current = 10A, see <a href="#">Figure 6-1</a> and <a href="#">Figure 6-2</a>           |     | 33  | 54  | ns            |
| $t_{r(on)}$                           | Turn-on rise time                                                          | From $V_{DS} < 320\text{V}$ to $V_{DS} < 80\text{V}$ , $V_{BUS} = 400\text{V}$ , $L_{HB}$ current = 10A, see <a href="#">Figure 6-1</a> and <a href="#">Figure 6-2</a>           |     | 2.8 | 4.3 | ns            |
| $t_{d(off)}$                          | Turn-off delay time                                                        | From $V_{IN} < V_{IN,IT-}$ to $V_{DS} > 80\text{V}$ , $V_{BUS} = 400\text{V}$ , $L_{HB}$ current = 10A, see <a href="#">Figure 6-1</a> and <a href="#">Figure 6-2</a>            |     | 48  | 69  | ns            |
| $t_{f(off)}$                          | Turn-off fall time <sup>(1)</sup>                                          | From $V_{DS} > 80\text{V}$ to $V_{DS} > 320\text{V}$ , $V_{BUS} = 400\text{V}$ , $L_{HB}$ current = 10A, see <a href="#">Figure 6-1</a> and <a href="#">Figure 6-2</a>           |     |     | 22  | ns            |
|                                       | Minimum IN high pulse-width for FET turn-on                                | $V_{IN}$ rise/fall times $< 1\text{ns}$ , $V_{DS}$ falls to $< 200\text{V}$ , $V_{BUS} = 400\text{V}$ , $L_{HB}$ current = 10A, see <a href="#">Figure 6-1</a>                   |     |     | 24  | ns            |
| <b>STARTUP TIMES</b>                  |                                                                            |                                                                                                                                                                                  |     |     |     |               |
| $t_{start}$                           | Driver start-up time                                                       | From $V_{VDD} > V_{VDD,T+}$ ( $UV_{LO}$ ) to FAULT high, $C_{LDO5V} = 100\text{nF}$ , $C_{VNEG} = 2.2\mu\text{F}$ at 0V bias linearly decreasing to $1.5\mu\text{F}$ at 15V bias |     | 310 | 470 | $\mu\text{s}$ |
| <b>FAULT TIMES</b>                    |                                                                            |                                                                                                                                                                                  |     |     |     |               |
| $t_{off(OC)}$                         | Overcurrent fault FET turn-off time, FET on before overcurrent             | $V_{IN} = 5\text{V}$ , From $I_D > I_{T(OC)}$ to $I_D < 50\text{A}$ , $I_D$ di/dt = $100\text{A}/\mu\text{s}$                                                                    |     | 115 | 170 | ns            |
| $t_{off(SC)}$                         | Short-circuit current fault FET turn-off time, FET on before short circuit | $V_{IN} = 5\text{V}$ , From $I_D > I_{T(SC)}$ to $I_D < 50\text{A}$ , $I_D$ di/dt = $700\text{A}/\mu\text{s}$                                                                    |     | 65  | 100 | ns            |
|                                       | Overcurrent fault FET turn-off time, FET turning on into overcurrent       | From $I_D > I_{T(OC)}$ to $I_D < 50\text{A}$                                                                                                                                     |     | 200 | 250 | ns            |
|                                       | Short-circuit fault FET turn-off time, FET turning on into short circuit   | From $I_D > I_{T(SC)}$ to $I_D < 50\text{A}$                                                                                                                                     |     | 80  | 180 | ns            |
|                                       | IN reset time to clear FAULT latch                                         | From $V_{IN} < V_{IN,IT-}$ to FAULT high                                                                                                                                         | 250 | 380 | 580 | $\mu\text{s}$ |
| $t_{window(OC)}$                      | Overcurrent fault to short-circuit fault window time                       |                                                                                                                                                                                  |     | 50  |     | ns            |
| <b>IDEAL-DIODE MODE CONTROL TIMES</b> |                                                                            |                                                                                                                                                                                  |     |     |     |               |
|                                       | Ideal-diode mode FET turn-on time                                          | $V_{DS} < V_{T(3rd)}$ to FET turn-on, $V_{DS}$ being discharged by half-bridge configuration inductor at 5A                                                                      |     | 50  | 65  | ns            |
|                                       | Ideal-diode mode FET turn-off time                                         | $I_D > I_{T(ZC)}$ to FET turn-off, $I_D$ di/dt = $100\text{A}/\mu\text{s}$ created with a half-bridge configuration                                                              |     | 55  | 76  | ns            |
|                                       | Overtemperature-shutdown ideal-diode mode IN falling blanking time         |                                                                                                                                                                                  | 150 | 230 | 360 | ns            |

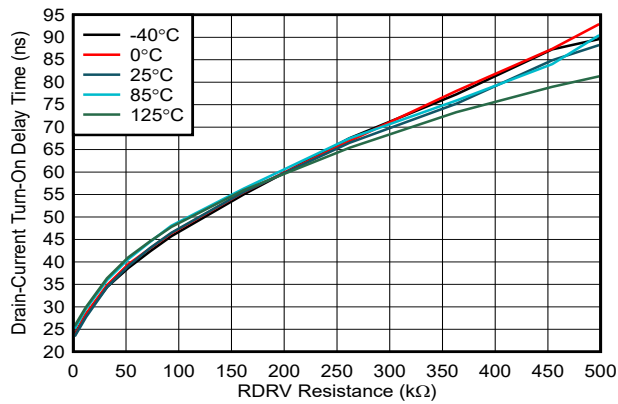
## 5.6 Switching Characteristics (continued)

Unless otherwise noted: voltage, resistance, capacitance, and inductance are respect to SOURCE;  $-40^{\circ}\text{C} \leq T_J \leq 125^{\circ}\text{C}$ ;  $V_{DS} = 520\text{V}$ ;  $9\text{V} \leq V_{VDD} \leq 18\text{V}$ ;  $V_{IN} = 0\text{V}$ ; RDRV connected to LDO5V;  $L_{BBSW} = 4.7\mu\text{H}$

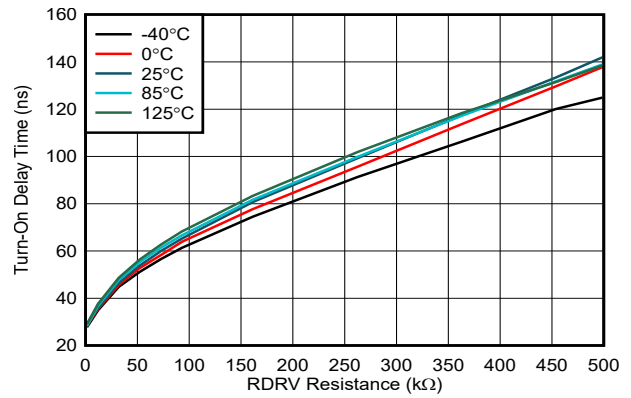
| PARAMETER                                                      | TEST CONDITIONS                                                  | MIN                                                                                                                                                                               | TYP | MAX | UNIT |     |    |
|----------------------------------------------------------------|------------------------------------------------------------------|-----------------------------------------------------------------------------------------------------------------------------------------------------------------------------------|-----|-----|------|-----|----|
| <b>ZERO-VOLTAGE DETECTION AND ZERO-CURRENT DETECTION TIMES</b> |                                                                  |                                                                                                                                                                                   |     |     |      |     |    |
| $t_{WD\_ZVD}$                                                  | ZVD/ZCD Pulse Width                                              | See <a href="#">Figure 6-3</a>                                                                                                                                                    |     | 75  | 100  | 140 | ns |
| $t_{DL\_ZVD}$                                                  | Time delay between IN rise to ZVD pulse's rising edge            | See <a href="#">Figure 6-3</a>                                                                                                                                                    |     |     | 15   | 30  | ns |
| $t_{3rd\_ZVD}$                                                 | 3rd quadrant conduction time when the ZVD pulse starts to appear | $V_{bus} = 10\text{V}$ , $I_L = 5\text{A}$ , $R_{drv} = 5\text{V}$ , measure the 3rd quadrant conduction time when the ZVD pulse starts to appear. See <a href="#">Figure 6-3</a> |     |     | 42   | 56  | ns |
| $t_{ZCD\_Blank}$                                               | Effective blanking time of ZCD pulse after FET turns on.         | RDRV held to 5V (100V/ns). $I_L = 5\text{A}$                                                                                                                                      |     | 60  | 96   | 140 | ns |
| $t_{zc\_Det}$                                                  | Time from current crossing zero to ZCD Pulse                     | $di/dt = 30\text{A}/\mu\text{s}$                                                                                                                                                  |     |     | 20   | 57  | ns |

(1) During turn-off,  $V_{DS}$  rise time is the result of the resonance of  $C_{OSS}$  and loop inductance as well as load current.

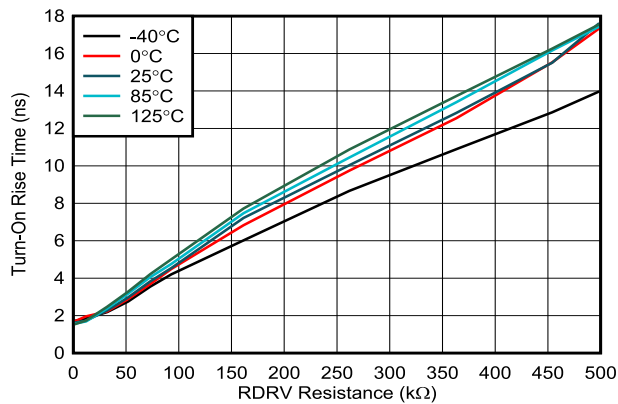
## 5.7 Typical Characteristics



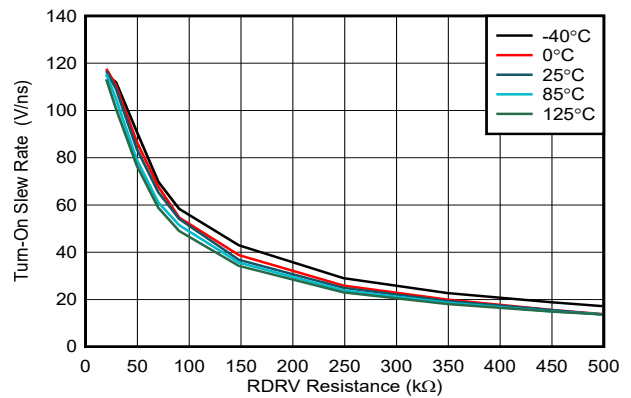
**Figure 5-1. Drain-Current Turn-On Delay Time vs Drive-Strength Resistance**



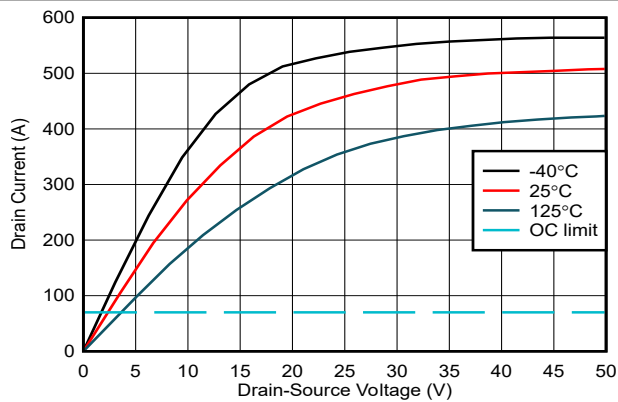
**Figure 5-2. Turn-On Delay Time vs Drive-Strength Resistance**



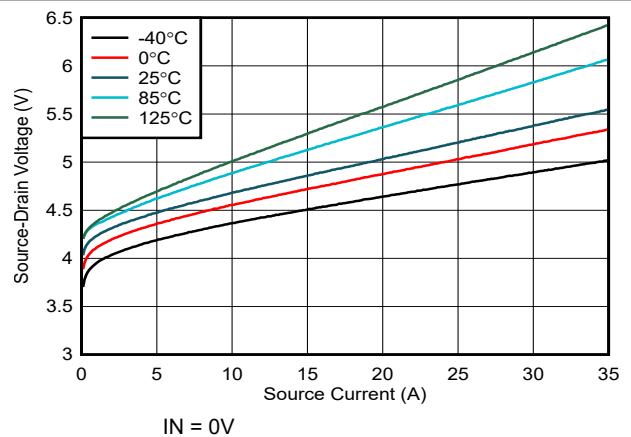
**Figure 5-3. Turn-On Rise Time vs Drive-Strength Resistance**



**Figure 5-4. Turn-On Slew Rate vs Drive-Strength Resistance**

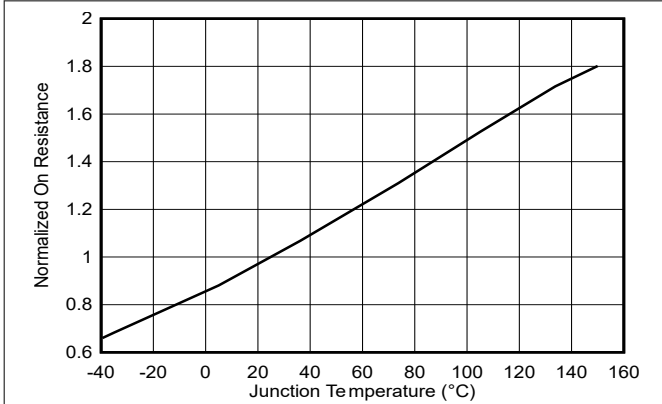


**Figure 5-5. Drain Current vs Drain-Source Voltage**

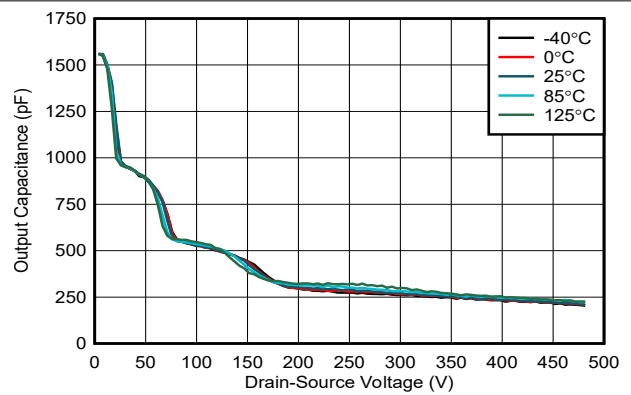


**Figure 5-6. Off-State Source-Drain Voltage vs Source Current**

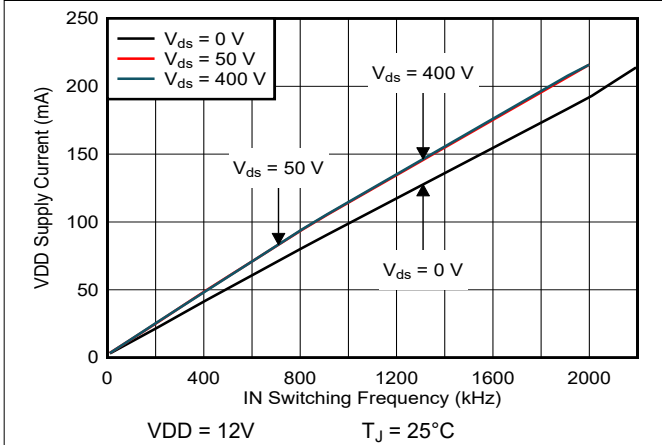
### 5.7 Typical Characteristics (continued)



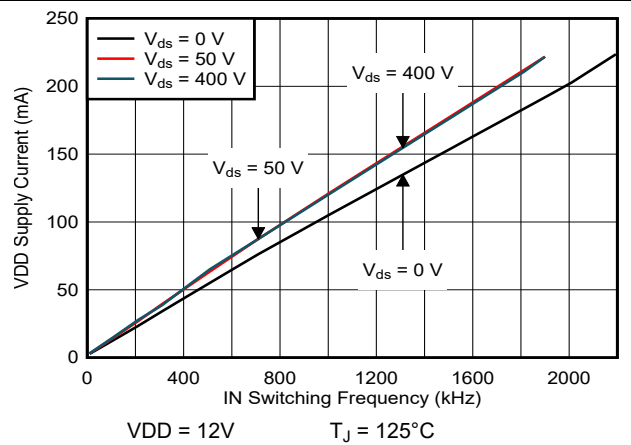
**Figure 5-7. Normalized On-Resistance vs Junction Temperature**



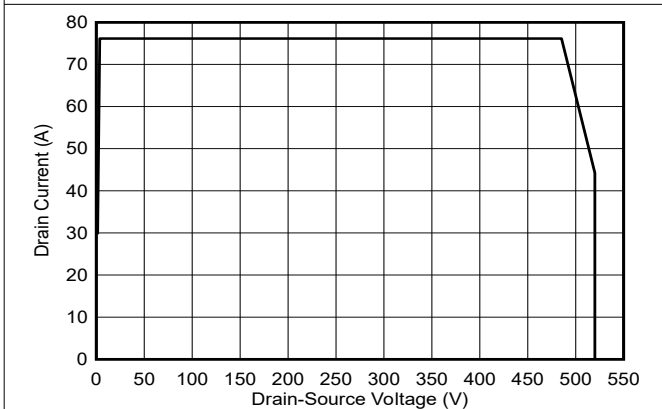
**Figure 5-8. Output Capacitance vs Drain-Source Voltage**



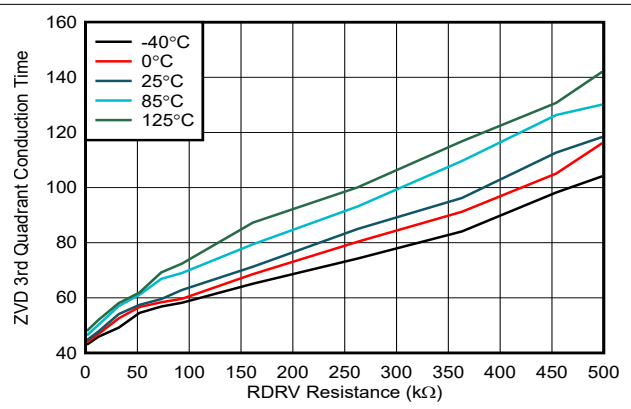
**Figure 5-9. VDD Supply Current vs IN Switching Frequency**



**Figure 5-10. VDD Supply Current vs IN Switching Frequency**



**Figure 5-11. Repetitive Safe Operation Area**



**Figure 5-12. ZVD Third Quadrant Conduction Time vs Drive-Strength Resistance**

## 6 Parameter Measurement Information

### 6.1 Switching Parameters

Figure 6-1 shows the circuit used to measure most switching parameters. The top device in this circuit is used to re-circulate the inductor current and functions in third-quadrant mode only. The bottom device is the active device that turns on to increase the inductor current to the desired test current. The bottom device is then turned off and on to create switching waveforms at a specific inductor current. Both the drain current (at the source) and the drain-source voltage is measured. Figure 6-2 shows the specific timing measurement. TI recommends to use the half-bridge as a double pulse tester. Excessive third-quadrant operation can overheat the top device.

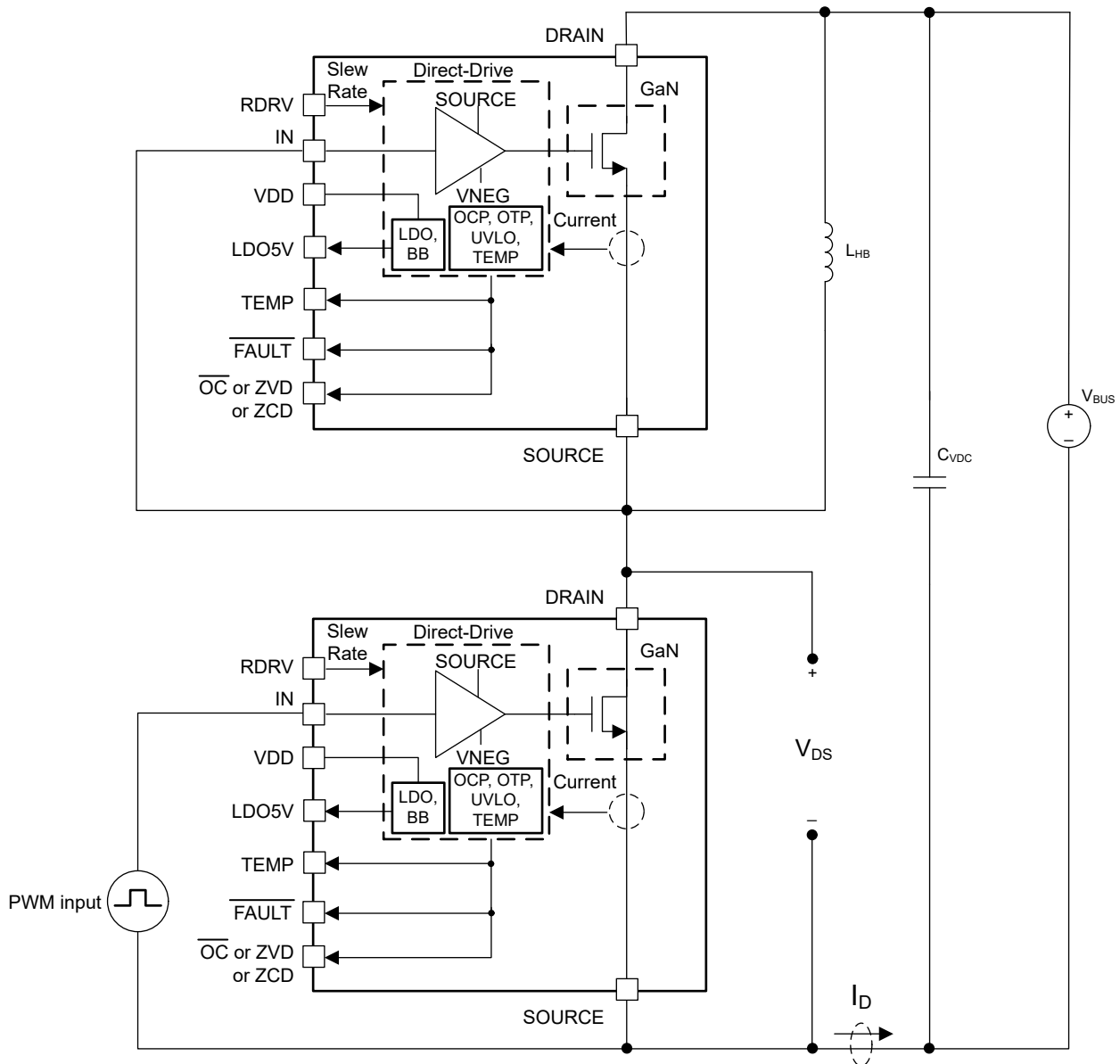
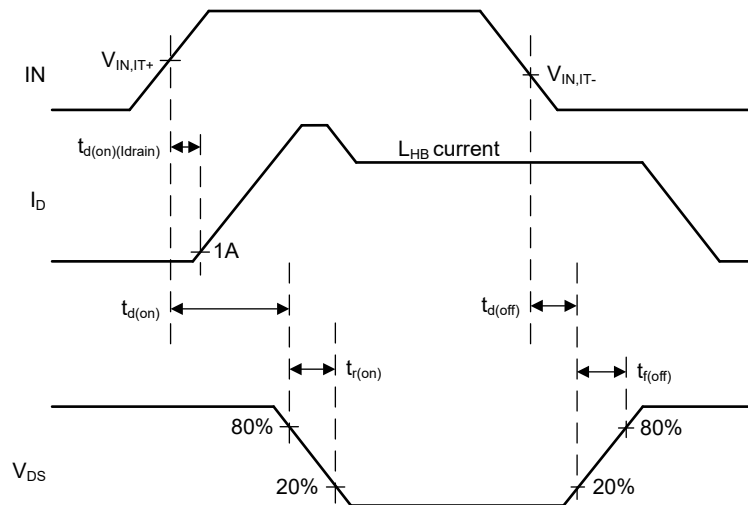


Figure 6-1. Circuit Used to Determine Switching Parameters



**Figure 6-2. Measurement to Determine Propagation Delays and Slew Rates**

### 6.1.1 Turn-On Times

The turn-on transition has three timing components: drain-current turn-on delay time, turn-on delay time, and turn-on rise time. The drain-current turn-on delay time is from when IN goes high to when the GaN FET drain-current reaches 1A. The turn-on delay time is from when IN goes high to when the drain-source voltage falls 20% below the bus voltage. Finally, the turn-on rise time is from when drain-source voltage falls 20% below the bus voltage to when the drain-source voltage falls 80% below the bus voltage. Note that the turn-on rise time is the same as the  $V_{DS}$  80% to 20% fall time. All three turn-on timing components are a function of the RDRV pin setting.

### 6.1.2 Turn-Off Times

The turn-off transition has two timing components: turn-off delay time, and turn-off fall time. The turn-off delay time is from when IN goes low to when the drain-source voltage rises to 20% of the bus voltage. The turn-off fall time is from when the drain-source voltage rises to 20% of the bus voltage to when the drain-source voltage rises to 80% of the bus voltage. Note that the turn-off fall time is the same as the  $V_{DS}$  20% to 80% rise time. The turn-off timing components are independent of the RDRV pin setting, but heavily dependent on the  $L_{HB}$  load current.

### 6.1.3 Drain-Source Turn-On Slew Rate

The drain-source turn-on slew rate, measured in volts per nanosecond, is the inverse of the turn-on rise time or equivalently the inverse of the  $V_{DS}$  80% to 20% fall time. The RDRV pin is used to program the slew rate.

### 6.1.4 Zero-Voltage Detection Times (LMG3526R030 only)

Figure 6-3 defines the switching timings related to the zero-voltage detection (ZVD) block, and the device's drain-to-source voltage, IN pin signal, and ZVD output signals are demonstrated. When the device achieves zero-voltage switching (ZVS), the ZVD pin outputs a pulse-signal with width  $T_{WD\_ZVD}$ , and the delay time in between IN pin's rising edge and ZVD pulse's rising edge is defined as  $T_{DL\_ZVD}$ . A certain third quadrant conduction time is required to allow the device detecting a zero-voltage switching, and  $T_{3rd\_ZVD}$  indicates this timing. See the [Zero-Voltage Detection \(ZVD\)](#) section for more information about the ZVD timing parameters.

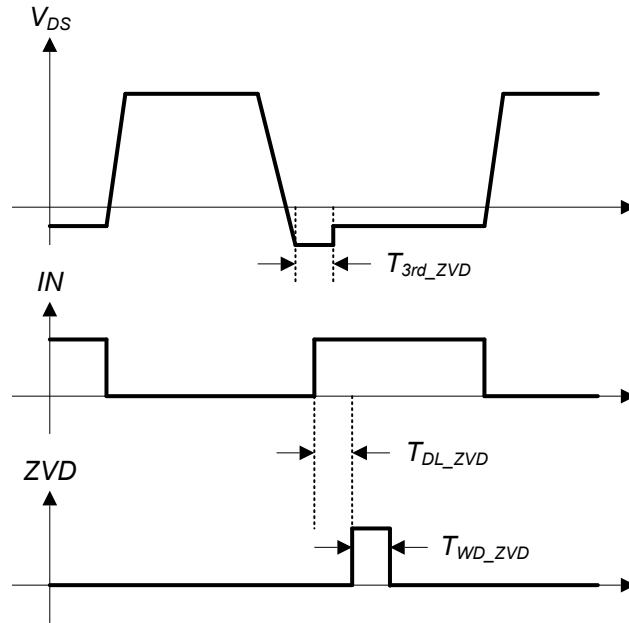


Figure 6-3. ZVD Timing Specifications

### 6.1.5 Zero-Current Detection Times (LMG3527R030 only)

Figure 6-4 defines the switching timings related to the zero-current detection (ZCD) block, and the device's drain-to-source current, IN pin signal, and ZCD output signals are demonstrated. ZCD block starts detecting the positive drain-to-source after blanking period defined by  $t_{ZCD\_Blank}$  measured from the rising edge of IN pin signal. Later, when a positive drain-to-source current is detected, the ZCD pin outputs a pulse-signal with width  $t_{WD\_ZVD}$ , and the delay time in between positive current detection and ZCD pulse's rising edge is defined as  $t_{zc\_Det}$ . See the [Zero-Current Detection \(ZCD\) \(LMG3527R030 only\)](#) section for more information about the ZCD timing parameters.

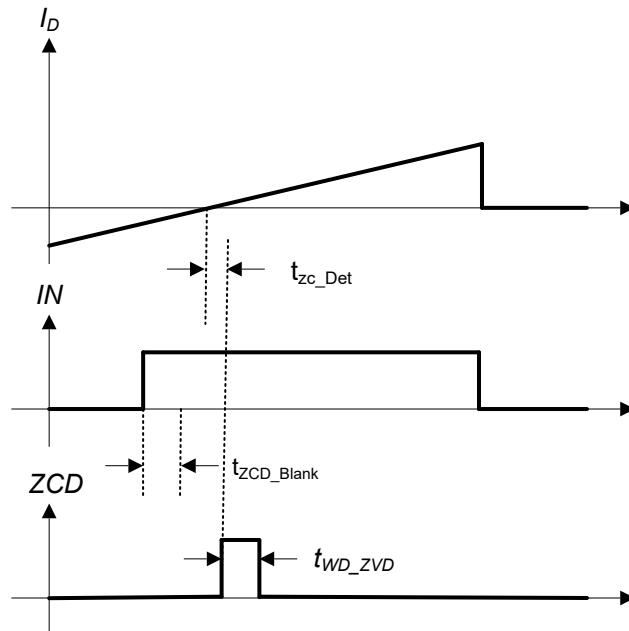


Figure 6-4. ZCD Timing Specifications

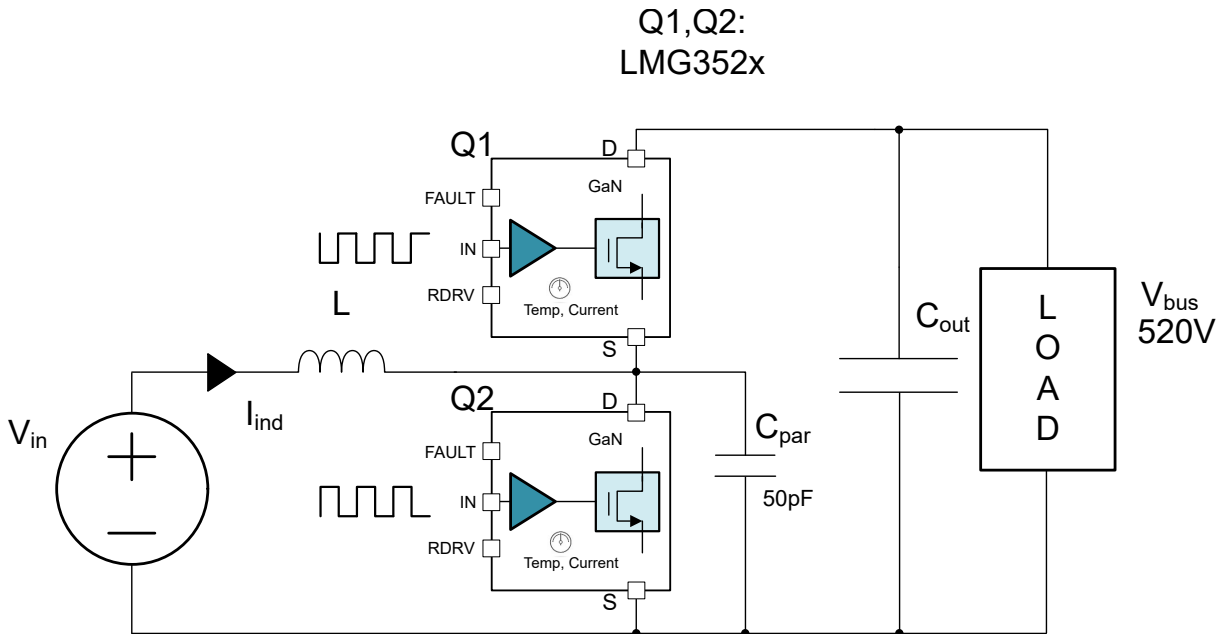
## 6.2 Safe Operation Area (SOA)

### 6.2.1 Repetitive SOA

The allowed repetitive SOA for the LMG352xR030 (Figure 5-11) is defined by the peak drain current ( $I_{DS}$ ) and the drain to source voltage ( $V_{DS}$ ) of the device during turn on. The peak drain current during switching is the sum of several currents going into drain terminal: the inductor current ( $I_{ind}$ ); the current required to charge the  $C_{OSS}$  of the other GaN device in the totem pole; and the current required to charge the parasitic capacitance ( $C_{par}$ ) on the switching node. 310pF is used as an average  $C_{OSS}$  of the device during switching. The parasitic capacitance on the switch node may be estimated by using the overlap capacitance of the PCB. A boost topology is used for the SOA testing. The circuit shown in Figure 6-5 is used to generate the SOA curve in Figure 5-11. For reliable operation, the junction temperature of the device must also be limited to 125°C. The  $I_{DS}$  of Figure 5-11 can be calculated by:

$$I_{DS} = I_{ind} + (310\text{pF} + C_{par}) * \text{Drain slew rate at peak current} \quad (1)$$

where drain slew rate at the peak current is estimated between 70% and 30% of the bus voltage, and  $C_{par}$  is the parasitic board capacitance at the switched node.



**Figure 6-5. Circuit Used for SOA Curve**

Refer to [Achieving GaN Products With Lifetime Reliability](#) for more details.

## 7 Detailed Description

### 7.1 Overview

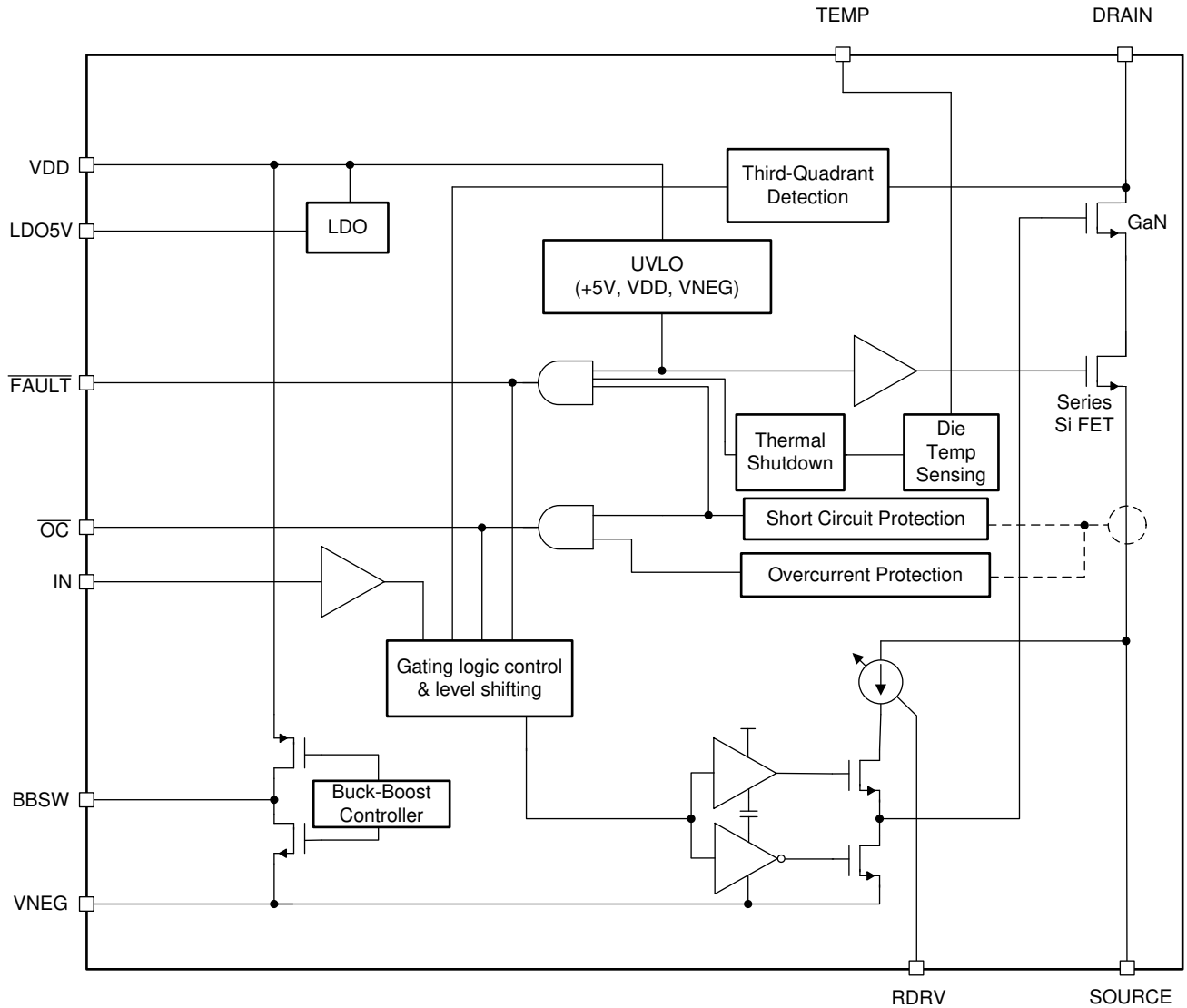
The LMG352xR030 is a high-performance power GaN device with integrated gate driver. The GaN device offers zero reverse recovery and ultra-low output capacitance, which enables high efficiency in bridge-based topologies. Direct-drive architecture is applied to control the GaN device directly by the integrated gate driver. This architecture provides superior switching performance compared to the traditional cascode approach and helps solve a number of challenges in GaN applications.

The integrated driver ensures the device stays off for high drain slew rates. The integrated driver protects the GaN device from overcurrent, short-circuit, overtemperature, VDD undervoltage, and a high-impedance RDRV pin. The integrated driver is also able to sense the die temperature and send out the temperature signal through a modulated PWM signal. The LMG3526R030 has a zero-voltage detection (ZVD) feature that outputs a pulse signal on the ZVD pin when zero-voltage switching (ZVS) is detected. The LMG3527R030 includes the zero-current detection (ZCD) feature which provides a pulse output from the ZCD pin when a positive drain-to-source current is detected.

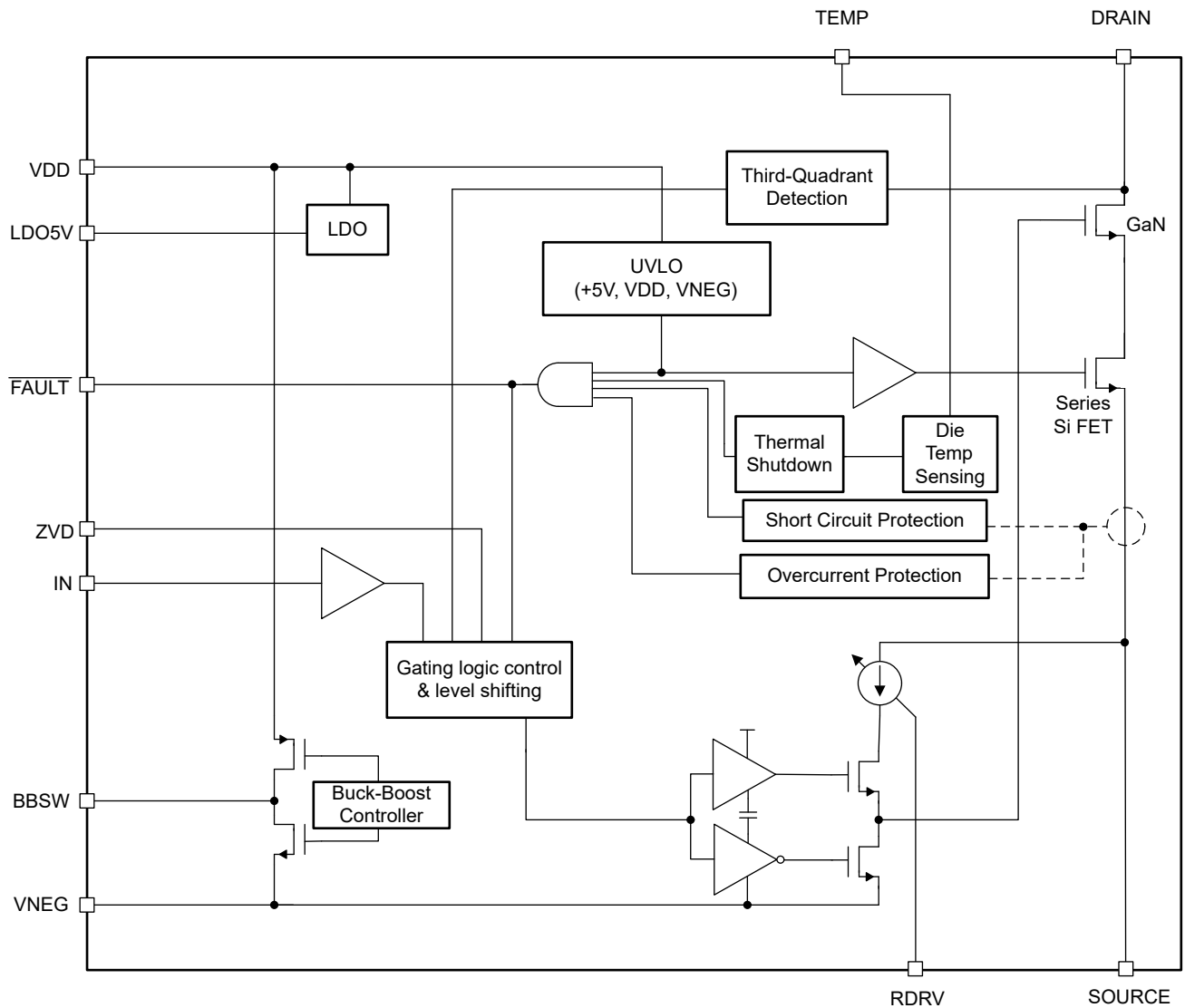
Unlike Si MOSFETs, GaN devices do not have a p-n junction from source to drain and thus have no reverse recovery charge. However, GaN devices still conduct from source to drain similar to a p-n junction body diode, but with higher voltage drop and higher conduction loss. Therefore, source-to-drain conduction time must be minimized while the LMG352xR030 GaN FET is turned off.

## 7.2 Functional Block Diagram

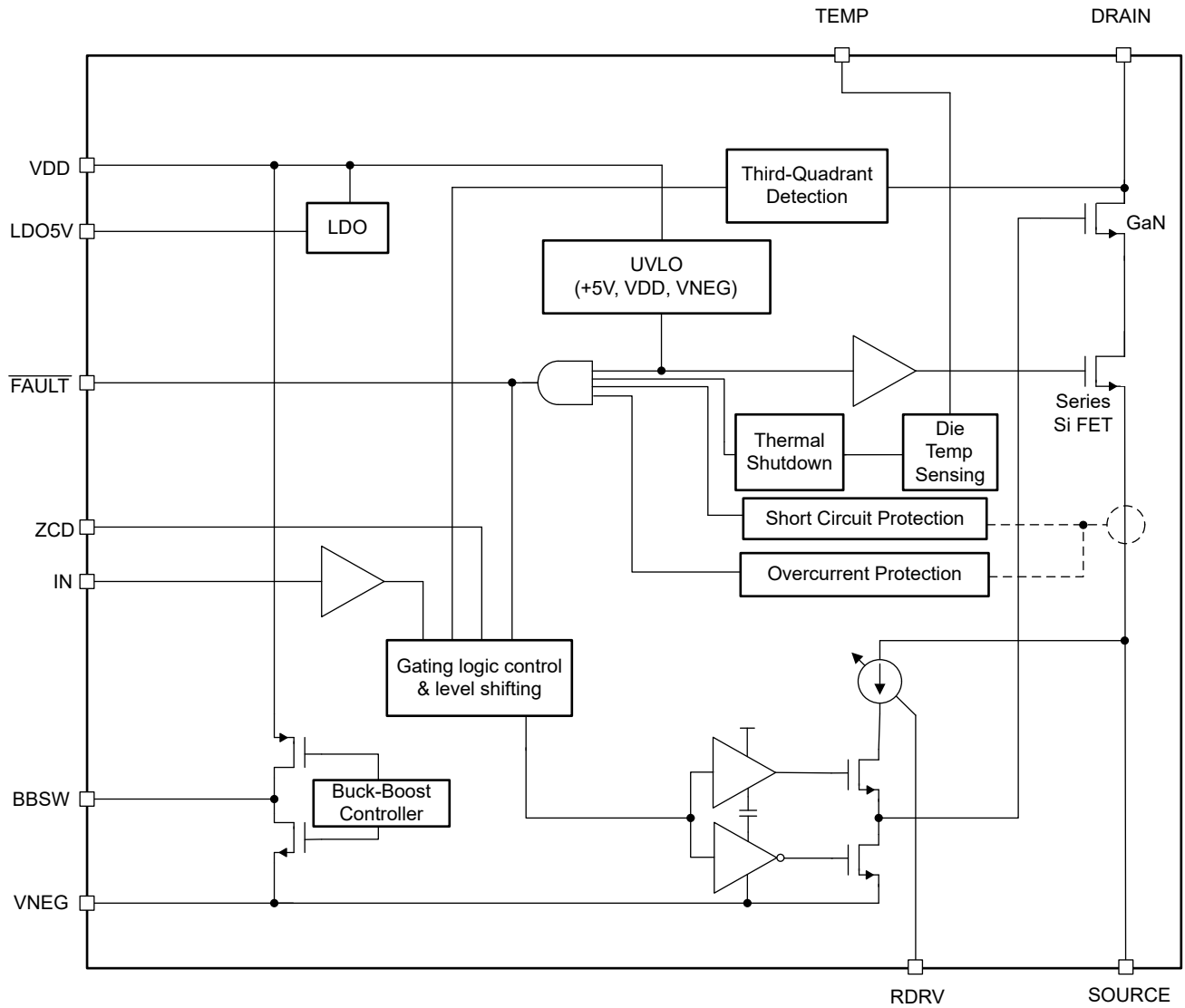
### 7.2.1 LMG3522R030 Functional Block Diagram



### 7.2.2 LMG3526R030 Functional Block Diagram



### 7.2.3 LMG3527R030 Functional Block Diagram



## 7.3 Feature Description

The LMG352xR030 includes advanced features to provide superior switching performance and converter efficiency.

### 7.3.1 GaN FET Operation Definitions

For the purposes of this data sheet, the following terms are defined below. The SOURCE pin is assumed to be at 0 V for these definitions.

**First-Quadrant Current** = Positive current flowing internally from the DRAIN pin to the SOURCE pin.

**Third-Quadrant Current** = Positive current flowing internally from the SOURCE pin to the DRAIN pin.

**First-Quadrant Voltage** = Drain pin voltage – Source pin voltage = Drain pin voltage

**Third-Quadrant Voltage** = SOURCE pin voltage – DRAIN pin voltage = –DRAIN pin voltage

**FET On-State** = FET channel is at rated  $R_{DS(on)}$ . Both first-quadrant current and third-quadrant current can flow at rated  $R_{DS(on)}$ .

For LMG352xR030 in **On-State**, GaN FET internal gate voltage is held at the SOURCE pin voltage to achieve rated  $R_{DS(on)}$ . The GaN FET channel is at rated  $R_{DS(on)}$  with  $V_{GS} = 0$  V because the LMG352xR030 GaN FET is a depletion mode FET.

**FET Off-State** = FET channel is fully off for positive first-quadrant voltage. No first-quadrant current can flow. While first-quadrant current cannot flow in the FET Off-State, third-quadrant current still flows if the DRAIN voltage is taken sufficiently negative (positive third-quadrant voltage). For devices with an intrinsic p-n junction body diode, current flow begins when the DRAIN voltage drops enough to forward bias the p-n junction.

GaN FETS do not have an intrinsic p-n junction body diode. Instead, current flows because the GaN FET channel turns back on. In this case, the DRAIN pin becomes the electrical source and the SOURCE pin becomes the electrical drain. To enhance the channel in third-quadrant, the DRAIN (electrical source) voltage must be taken sufficiently low to establish a  $V_{GS}$  voltage greater than the GaN FET threshold voltage. The GaN FET channel is operating in saturation and only turns on enough to support the third-quadrant current as its saturated current.

For LMG352xR030 in **Off-State**, GaN FET internal gate voltage is held at the VNEG pin voltage to block all first-quadrant current. The VNEG voltage is lower than the GaN FET negative threshold voltage to cut off the channel.

To enhance the channel in off-state third quadrant, the LMG352xR030 DRAIN (electrical source) voltage must be taken sufficiently close to VNEG to establish a  $V_{GS}$  voltage greater than the GaN FET threshold voltage. Again, because the LMG352xR030 GaN FET is a depletion mode FET with a negative threshold voltage, this means the GaN FET turns on with DRAIN (electrical source) voltage between 0 V and VNEG. The typical off-state third-quadrant voltage is 5 V for third-quadrant current at 20 A. Thus, the off-state third-quadrant losses for the LMG352xR030 are significantly higher than a comparable power device with an intrinsic p-n junction body diode.

### 7.3.2 Direct-Drive GaN Architecture

The LMG352xR030 uses a series Si FET to ensure the power IC stays off when VDD bias power is not applied. When the VDD bias power is off, the series Si FET is interconnected with the GaN device in a cascode mode, which is shown in the [Functional Block Diagram](#). The gate of the GaN device is held within a volt of the series Si FET's source. When a high voltage is applied on the drain and the silicon FET blocks the drain voltage, the  $V_{GS}$  of the GaN device decreases until the GaN device passes the threshold voltage. Then, the GaN device is turned off and blocks the remaining major part of drain voltage. There is an internal clamp to make sure that the  $V_{DS}$  of the Si FET does not exceed its maximum rating. This feature avoids the avalanche of the series Si FET when there is no bias power.

When LMG352xR030 is powered up with VDD bias power, the internal buck-boost converter generates a negative voltage ( $V_{VNEG}$ ) that is sufficient to directly turn off the GaN device. In this case, the series Si FET is held on and the GaN device is gated directly with the negative voltage.

Comparing with traditional cascode drive GaN architecture, where the GaN gate is grounded and the Si MOSFET gate is being driven to control the GaN device, direct-drive configuration has multiple advantages. First, as the Si MOSFET does need to switch in every switching cycle, GaN gate-to-source charge ( $Q_{GS}$ ) is lower and there's no Si MOSFET reverse-recovery related losses. Second, the voltage distribution between the GaN and Si MOSFET in off-mode in a cascode configuration can cause the MOSFET to avalanche due to high GaN drain-to-source capacitance ( $C_{DS}$ ). Finally, the switching slew rate in direct-drive configuration can be controlled while cascode drive cannot. More information about the direct-drive GaN architecture can be found in [Direct-drive configuration for GaN devices](#).

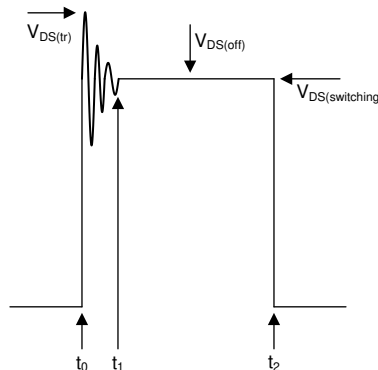
### 7.3.3 Drain-Source Voltage Capability

Due to the silicon FET's long reign as the dominant power-switch technology, many designers are unaware that the headline drain-source voltage cannot be used as an equivalent point to compare devices across technologies. The headline drain-source voltage of a silicon FET is set by the avalanche breakdown voltage. The headline drain-source voltage of a GaN FET is set by the long term reliability with respect to data sheet specifications.

Exceeding the headline drain-source voltage of a silicon FET can lead to immediate and permanent damage. Meanwhile, the breakdown voltage of a GaN FET is much higher than the headline drain-source voltage. For example, the breakdown voltage of the LMG352xR030 is more than 800V.

A silicon FET is usually the weakest link in a power application during an input voltage surge. Surge protection circuits must be carefully designed to ensure the silicon FET avalanche capability is not exceeded because it is not feasible to clamp the surge below the silicon FET breakdown voltage. Meanwhile, it is easy to clamp the surge voltage below a GaN FET breakdown voltage. In fact, a GaN FET can continue switching during the surge event which means output power is safe from interruption.

The LMG352xR030 drain-source capability is explained with the assistance of [Figure 7-1](#). The figure shows the drain-source voltage versus time for a GaN FET for a single switch cycle in a switching application. No claim is made about the switching frequency or duty cycle. This device is not recommended for continuous voltage stress in non-switching applications.



**Figure 7-1. Drain-Source Voltage Switching Cycle**

The waveform starts before  $t_0$  with the FET in the on state. At  $t_0$  the GaN FET turns off and parasitic elements cause the drain-source voltage to ring at a high frequency. The peak ring voltage is designated  $V_{DS(tr)}$ . The high frequency ringing has damped out by  $t_1$ . Between  $t_1$  and  $t_2$  the FET drain-source voltage is set by the characteristic response of the switching application. The characteristic is shown as a flat line, but other responses are possible. The voltage between  $t_1$  and  $t_2$  is designated  $V_{DS(off)}$ . At  $t_2$  the GaN FET is turned on at a non-zero drain-source voltage. The drain-source voltage at  $t_2$  is designated  $V_{DS(switching)}$ . Unique  $V_{DS(tr)}$ ,  $V_{DS(off)}$  and  $V_{DS(switching)}$  parameters are shown because each can contribute to stress over the lifetime of the GaN FET.

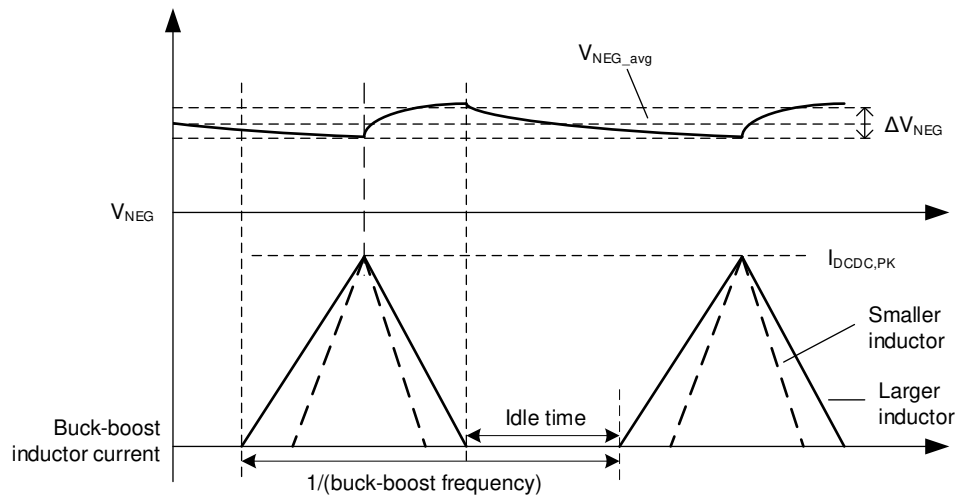
The LMG352xR030 drain-source surge voltage capability is seen with the absolute maximum ratings  $V_{DS(tr)(surge)}$  and  $V_{DS(surge)}$  in the [Specifications](#) where  $V_{DS(tr)(surge)}$  maps to  $V_{DS(tr)}$  in [Figure 7-1](#) and  $V_{DS(surge)}$  maps to both

$V_{DS(off)}$  and  $V_{DS(switching)}$  in Figure 7-1. More information about the surge capability of TI GaN FETs is found in [A New Approach to Validate GaN FET Reliability to Power-line Surges Under Use-conditions](#).

### 7.3.4 Internal Buck-Boost DC-DC Converter

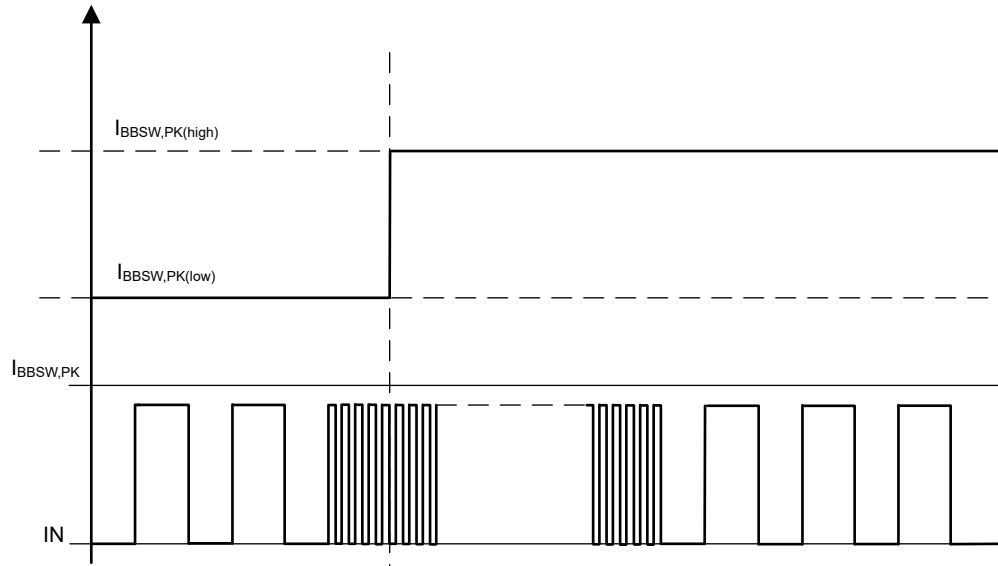
An internal inverting buck-boost converter generates a regulated negative rail for the turn-off supply of the GaN device. The buck-boost converter is controlled by a peak current mode, hysteretic controller. In normal operation, the converter remains in discontinuous-conduction mode, but can enter continuous-conduction mode during start-up. The converter is controlled internally and requires only a single surface-mount inductor and output bypass capacitor. Typically, the converter is designed to use a 4.7- $\mu$ H inductor and a 2.2- $\mu$ F output capacitor.

The buck-boost converter uses a peak current hysteretic control. As shown in Figure 7-2, the inductor current increases at the beginning of a switching cycle until the inductor reaches the peak current limit. Then the inductor current goes down to zero. The idle time between each current pulse is determined automatically by the buck-boost controller, and can be reduced to zero. Therefore, the maximum output current happens when the idle time is zero, and is decided by the peak current but to a first order is independent of the inductor value. However, the peak output current the buck-boost can deliver to the -14-V rail is proportional to the VDD input voltage. Therefore, the maximum switching frequency of the GaN that the buck-boost can support varies with VDD voltage and is only specified for operation up to 2 MHz for VDD voltages above 9 V.



**Figure 7-2. Buck-Boost Converter Inductor Current**

The LMG352xR030 supports the GaN operation up to 2 MHz. As power consumption is very different in a wide switching frequency range enabled by the GaN device, two peak current limits are used to control the buck-boost converter. The two ranges are separated by  $I_N$  positive-going threshold frequency. As shown in Figure 7-3, when switching frequency is in the lower range, the peak current is initially set to the lower value  $I_{BBSW,M(low)}$  (typically 0.4A). When switching frequency is in the higher range, the peak current is raised to the higher value  $I_{BBSW,M(high)}$  (typically 1 A) and requires a larger inductor. There is a filter on this frequency detection logic, therefore the LMG352xR030 requires five consecutive cycles at the higher frequency before it is set to the higher buck-boost peak current limit. The current limit does not go down again until power off after the higher limit is set. Even if the switching frequency returns to the lower range, the current limit does not decrease to the lower limit.



**Figure 7-3. Buck-Boost Converter Peak Current**

As the peak current of the buck-boost is subject to two different peak current limits which are 0.4A and 1A for low and high frequency operation (see [Internal Buck-Boost DC-DC Converter](#)), so the inductor must have a saturation current well above the rated peak current limit. After the higher limit is established by switching at a higher frequency, the current limit does not go back to the lower level even when GaN device is then switched at a lower frequency. Therefore, selecting an inductor according to the higher 1A limit is recommended.

### 7.3.5 VDD Bias Supply

Wide VDD voltage ranges from 7.5V to 18V are supported by internal regulators which supply the bias supplies needed for the internal circuits to function. If the VDD input voltage is less than 9V, then the maximum switching frequency is de-rated.

### 7.3.6 Auxiliary LDO

There is a 5V voltage regulator inside the part used to supply external loads, such as digital isolators for the high-side drive signal. The digital outputs of the part use this rail as their supply. No capacitor is required for stability, but transient response is poor if no external capacitor is provided. If the application uses this rail to supply external circuits, TI recommends to have a capacitor of at least 0.1 $\mu$ F for improved transient response. A larger capacitor can be used for further transient response improvement. The decoupling capacitor used here must be a low-ESR ceramic type. Capacitances above 0.47 $\mu$ F will slow down the start-up time of the LMG352xR030 due to the ramp-up time of the 5V rail.

### 7.3.7 Fault Protection

The GaN power IC integrates overcurrent protection (OCP), short-circuit protection (SCP), overtemperature protection (OTP), undervoltage lockout (UVLO) protection, and high-impedance RDRV pin protection.

#### 7.3.7.1 Overcurrent Protection and Short-Circuit Protection

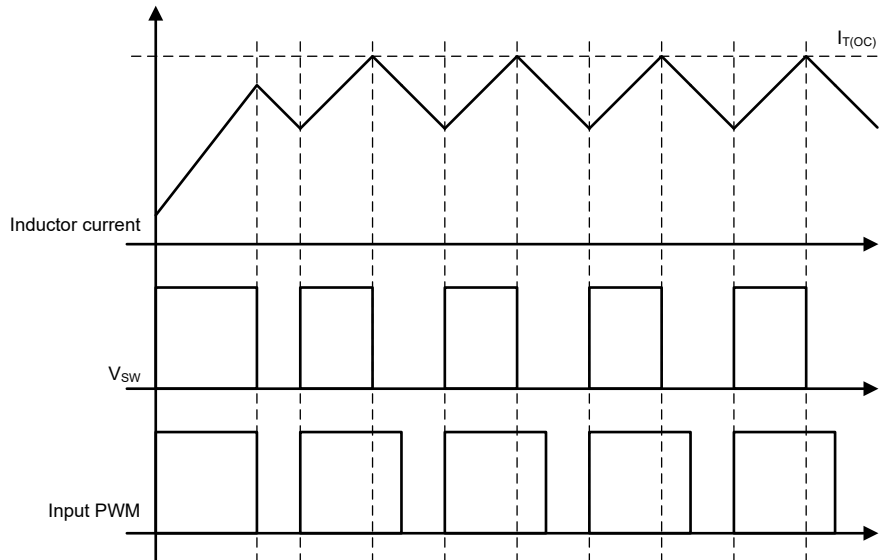
There are two types of current faults which can be detected by the driver: overcurrent fault and short-circuit fault.

The overcurrent protection (OCP) circuit monitors drain current and compares that current signal with an internally set limit  $I_{T(OC)}$ . Upon detection of the overcurrent, the LMG352xR030 conducts cycle-by-cycle overcurrent protection as shown in [Figure 7-4](#). In this mode, the GaN device is shut off when the drain current crosses the  $I_{T(OC)}$  plus a delay  $t_{off(OC)}$ , but the overcurrent signal clears after the IN pin signal goes low. In the next cycle, the GaN device can turn on as normal. The cycle-by-cycle function can be used in cases where steady-state operation current is below the OCP level but transient response can still reach current limit, while the circuit operation cannot be paused. The cycle-by-cycle function also prevents the GaN device from overheating by overcurrent induced conduction losses.

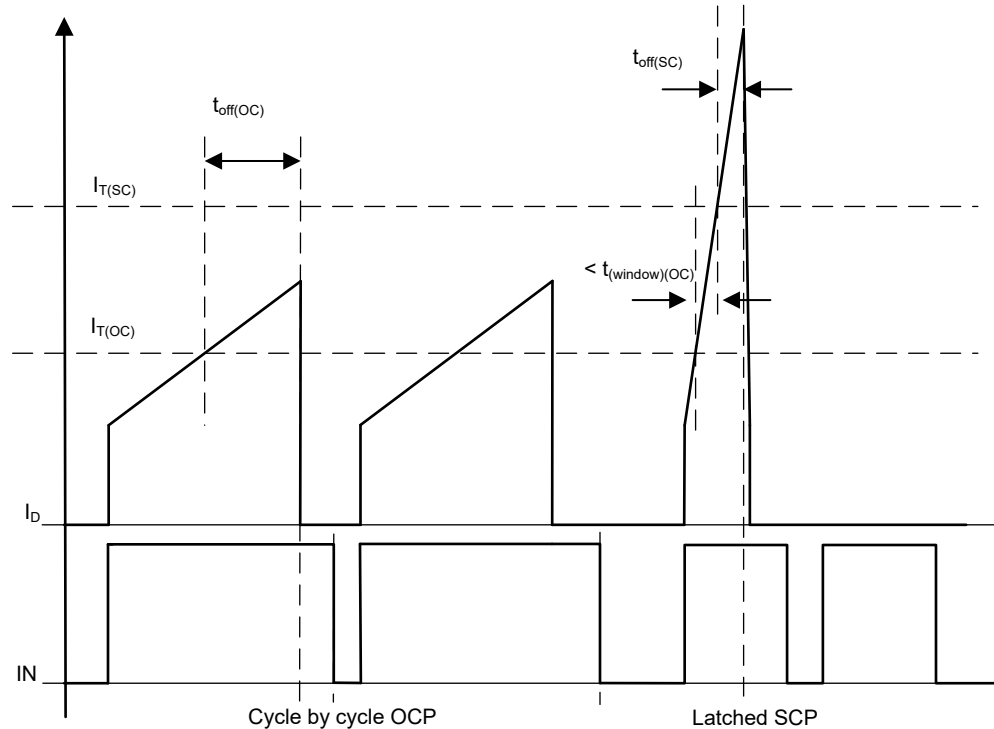
The short-circuit protection (SCP) monitors the drain current and triggers if the  $di/dt$  of the current exceeds a threshold  $di/dt_{T(SC)}$  as the current crosses between the OC and SC thresholds. It performs this  $di/dt$  detection by delaying the OC detection signal by an amount  $t_{OC,window}$  and using a higher current SC detection threshold. If the delayed OC occurs before the non-delayed SC, the  $di/dt$  is below the threshold and an OC is triggered. If the SC is detected first, the  $di/dt$  is fast enough and the SC is detected as shown in [Figure 7-5](#). This extremely high  $di/dt$  current would typically be caused by a short of the output of the half-bridge and can be damaging for the GaN to continue to operate in that condition. Therefore, if a short-circuit fault is detected, the GaN device is turned off with an intentionally slowed driver so that a lower overshoot voltage and ringing can be achieved during the turn-off event. This fast response circuit helps protect the GaN device even under a hard short-circuit condition. In this protection, the GaN device is shut off and held off until the fault is reset by either holding the IN pin low for a period of time defined in the [Specifications](#) or removing power from VDD.

During OCP or SCP in a half bridge, after the current reaches the upper limit and the device is turned off by protection, the PWM input of the device could still be high and the PWM input of the complementary device could still be low. In this case, the load current can flow through the third quadrant of the complementary device with no synchronous rectification. The high negative  $V_{DS}$  of the GaN device ( $-3\text{ V}$  to  $-5\text{ V}$ ) from drain to source could lead to high third-quadrant loss, similar to dead-time loss but for a longer time.

For safety considerations, OCP allows cycle-by-cycle operation while SCP latches the device until reset. See the [Fault Reporting](#) section for information on how the OCP and SCP faults are reported.



**Figure 7-4. Cycle-by-Cycle OCP Operation**



**Figure 7-5. Overcurrent Detection vs Short-Circuit Detection**

### 7.3.7.2 Overtemperature Shutdown Protection

The LMG352xR030 implements two overtemperature-shutdown (OTSD) protection functions, the GaN OTSD and the Driver OTSD. Two OTSD functions are needed to maximize device protection by sensing different locations in the device and protecting against different thermal-fault scenarios.

The GaN OTSD senses the GaN FET temperature. The GaN FET can overheat from both first-quadrant current and third-quadrant current. As explained in [GaN FET Operation Definitions](#), a FET can prevent first-quadrant current by going into the off-state but is unable to prevent third-quadrant current. FET third-quadrant losses are a function of the FET technology, current magnitude, and if the FET is operating in the on-state or off-state. As explained in [GaN FET Operation Definitions](#), the LMG352xR030 has much higher GaN FET third-quadrant losses in the off-state.

When the GaN FET is too hot, the best protection is to turn off the GaN FET when first-quadrant current tries to flow and turn on the GaN FET when third-quadrant current is flowing. This type of FET control is known as ideal-diode mode (IDM). When the GaN OTSD trip point is exceeded, the GaN OTSD puts the GaN FET into overtemperature-shutdown ideal-diode mode (OTSD-IDM) operation to achieve this optimum protection. OTSD-IDM is explained in [Ideal-Diode Mode Operation](#).

The Driver OTSD senses the integrated driver temperature and trips at a higher temperature compared to the GaN OTSD. This second OTSD function exists to protect the LMG352xR030 from driver thermal-fault events while allowing sufficient temperature difference for OTSD-IDM to operate. These driver thermal events include shorts on the LDO5V, BBSW, and VNEG device pins. When the Driver OTSD trip point is exceeded, the Driver OTSD shuts off the LDO5V regulator, the VNEG buck-boost converter, and the GaN FET. Note that OTSD-IDM does not function in Driver OTSD. This is why the Driver OTSD must trip higher than the GaN OTSD function. Otherwise, GaN FET third-quadrant overheating cannot be addressed.

Besides the temperature difference in the GaN OTSD and Driver OTSD trip points, further temperature separation is obtained due to the thermal gradient difference between the GaN OTSD and Driver OTSD sense points. The GaN OTSD sensor is typically at least 20°C hotter than the driver OTSD sensor when the device is in GaN OTSD due to GaN FET power dissipation.

The  $\overline{\text{FAULT}}$  pin is asserted for either or both the GaN OTSD state and the Driver OTSD state.  $\overline{\text{FAULT}}$  de-asserts and the device automatically returns to normal operation after both the GaN OTSD and Driver OTSD fall below their negative-going trip points. During cool down, when the device exits the Driver OTSD state but is still in the GaN OTSD state, the device automatically resumes OTSD-IDM operation.

### 7.3.7.3 UVLO Protection

The LMG352xR030 supports a wide range of VDD voltages. However, when the device is below UVLO threshold, the GaN device stops switching and is held off. The  $\overline{\text{FAULT}}$  pin is pulled low as an indication of UVLO. The LDO and buck-boost are turned on by the rising-edge of the VIN UVLO and shuts off around 5V to 6V.

### 7.3.7.4 High-Impedance RDRV Pin Protection

For the cases where the RDRV pin is continuously monitored (see [Drive-Strength Adjustment](#)), the LMG352xR030 protects against dangerously slow turn-on times by continuously monitoring RDRV for a high impedance above the  $R_{\text{RDRV}}$  recommended operating condition range. The GaN FET is held off and The  $\overline{\text{FAULT}}$  pin asserts when a high-impedance RDRV pin is detected. Normal operation resumes and the  $\overline{\text{FAULT}}$  pin de-asserts when a high-impedance RDRV pin is no longer detected.

### 7.3.7.5 Fault Reporting

The LMG3522R030 can be configured to report faults either with both the  $\overline{\text{FAULT}}$  and  $\overline{\text{OC}}$  pins or just with the  $\overline{\text{FAULT}}$  pin. Shorting the  $\overline{\text{OC}}$  pin to ground during device VDD power up configures the LMG3522R030 to only report faults with the  $\overline{\text{FAULT}}$  pin.

The LMG3526R030 does not have the  $\overline{\text{OC}}$  pin and only reports faults with the  $\overline{\text{FAULT}}$  pin.

The  $\overline{\text{FAULT}}$  and  $\overline{\text{OC}}$  pins are push-pull outputs. The high-level output voltage is pulled up to the LDO5V pin.

[Table 7-1](#) shows the fault reporting truth table when both the  $\overline{\text{FAULT}}$  pin and  $\overline{\text{OC}}$  pins report faults.

**Table 7-1. Fault Reporting Truth Table With Both the  $\overline{\text{FAULT}}$  and  $\overline{\text{OC}}$  Pins Reporting Faults**

|                           | No Fault | VDD UVLO | Overtemperature | High-Impedance RDRV Pin | Overcurrent | Short-Circuit |
|---------------------------|----------|----------|-----------------|-------------------------|-------------|---------------|
| $\overline{\text{FAULT}}$ | 1        | 0        | 0               | 0                       | 1           | 0             |
| $\overline{\text{OC}}$    | 1        | 1        | 1               | 1                       | 0           | 0             |

[Table 7-2](#) shows the fault reporting truth table when only the  $\overline{\text{FAULT}}$  pin reports faults.

**Table 7-2. Fault Reporting Truth Table With Only the  $\overline{\text{FAULT}}$  Pin Reporting Faults**

|                           | No Fault | VDD UVLO | Overtemperature | High-Impedance RDRV Pin | Overcurrent | Short-Circuit |
|---------------------------|----------|----------|-----------------|-------------------------|-------------|---------------|
| $\overline{\text{FAULT}}$ | 1        | 0        | 0               | 0                       | 0           | 0             |

### 7.3.8 Drive-Strength Adjustment

The LMG352xR030 allows users to adjust the drive strength of the device and obtain a desired slew rate, which provides flexibility when optimizing switching losses and noise coupling.

To adjust drive strength, a resistor can be placed between the RDRV pin and SOURCE pin. The resistance determines the slew rate of the device, from 20 V/ns to 150V/ns, during turn-on. On the other hand, there are two dv/dt values that can be selected without the resistor: shorting the RDRV pin to ground sets the slew rate to 150V/ns, and shorting the RDRV pin to LDO5V sets the slew rate to 100V/ns. The device detects the short to LDO5V one time at power up. Once the short to LDO5V condition is detected, the device no longer monitors the RDRV pin. Otherwise, the RDRV pin is continuously monitored and the dv/dt setting can be changed by modulating the resistance during device operation. The modulation must be fairly slow since there is significant internal filtering to reject switching noise.

---

**Note**

Parasitic power loop inductance can influence the voltage slew rate reading from the  $V_{DS}$  switching waveform. The inductance induces a drop on  $V_{DS}$  in the current rising phase before voltage falling phase, if this drop is more than 20% of the  $V_{DC}$ , the voltage slew rate reading can be influenced. Refer to [Section 8.5.1.2](#) for the power loop design guideline and how to estimate the parasitic power loop inductance.

---

### 7.3.9 Temperature-Sensing Output

The integrated driver senses the GaN die temperature and outputs the information through a modulated PWM signal on the TEMP pin. The typical PWM frequency is 9kHz with the same refresh rate. The minimum PWM pulse width is around 30ns, which can be observed at temperature below 25°C. The target temperature range is from 25°C to 150°C, and the corresponding PWM duty cycle is typically from 3% to 82%. Equation 2 can be used to calculate the typical junction temperature  $T_{J,typ}$  in °C from the duty cycle  $D_{TEMP}$ :

$$T_{J,typ} (\text{°C}) = 162.3 * D_{TEMP} + 20.1 \quad (2)$$

The tolerances of typical measurement are listed in Table 7-3.

**Table 7-3. Typical Junction Temperature Measurement Based on TEMP Signal and Tolerance**

| Typical $T_J$ Measurement Based on TEMP Signal (°C) | 25 | 85 | 125 |
|-----------------------------------------------------|----|----|-----|
| Tolerance (°C)                                      | ±5 | ±6 | ±10 |

At temperatures above 150°C, the duty cycle continues to increase linearly until overtemperature fault happens. When overtemperature happens, the TEMP pin is pulled high to indicate this fault until the temperature is reduced to the normal range. There is a hysteresis to clear overtemperature fault.

### 7.3.10 Ideal-Diode Mode Operation

Off-state FETs act like diodes by blocking current in one direction (first quadrant) and allowing current in the other direction (third quadrant) with a corresponding *diode like* voltage drop. FETs, though, can also conduct third-quadrant current in the on-state at a significantly lower voltage drop. Ideal-diode mode (IDM) is when an FET is controlled to block first-quadrant current by going to the off-state and conduct third-quadrant current by going to the on-state, thus achieving an *ideal* lower voltage drop.

FET off-state third-quadrant current flow is commonly seen in power converters, both in normal and fault situations. As explained in [GaN FET Operation Definitions](#), GaN FETs do not have an intrinsic p-n junction body diode to conduct off-state third-quadrant current. Instead, the off-state third-quadrant voltage drop for the LMG352xR030 is several times higher than a p-n junction voltage drop, which can impact efficiency in normal operation and device ruggedness in fault conditions.

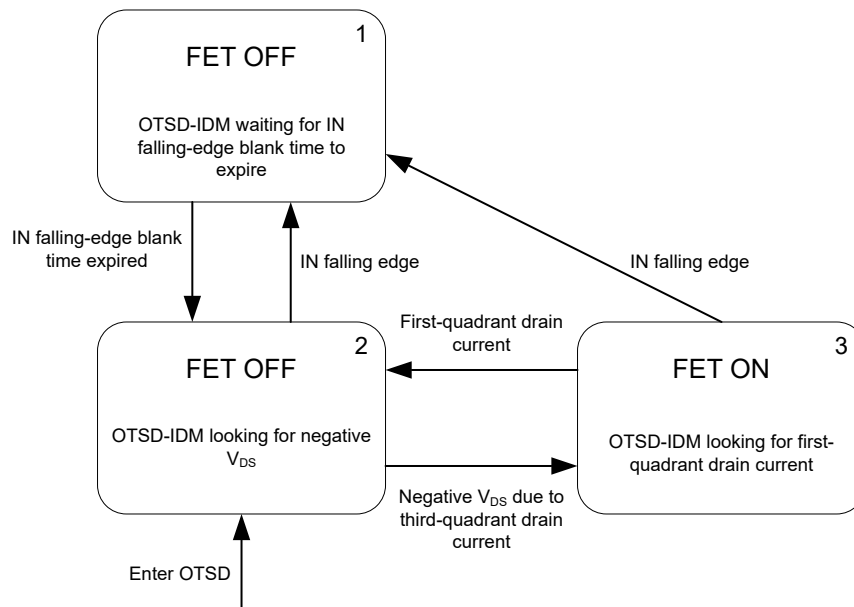
To improve device ruggedness in a GaN FET overtemperature fault situation, LMG352xR030 devices implement a GaN FET overtemperature-shutdown ideal-diode mode (OTSD-IDM) function as referenced in [Overtemperature Shutdown Protection](#). The OTSD-IDM feature is described in more detail in the following section.

#### 7.3.10.1 Overtemperature-Shutdown Ideal-Diode Mode

Overtemperature-shutdown ideal-diode mode (OTSD-IDM) is implemented in LMG352xR030. As explained in [Overtemperature Shutdown Protection](#), ideal-diode mode provides the best GaN FET protection when the GaN FET is overheating.

OTSD-IDM accounts for all, some, or none of the power system operating when OTSD-IDM is protecting the GaN FET. The power system may not have the capability to shut itself down, in response to the LMG352xR030 asserting the FAULT pin in a GaN OTSD event, and just continue to try to operate. Parts of the power system can stop operating due to any reason such as a controller software bug or a solder joint breaking or a device shutting off to protect itself. At the moment of power system shutdown, the power system stops providing gate drive signals but the inductive elements continue to force current flow while they discharge.

The OTSD-IDM state machine is shown in Figure 7-6. Each state is assigned a state number in the upper right side of the state box.



**Figure 7-6. Overtemperature-Shutdown Ideal-Diode Mode (OTSD-IDM) State Machine**

1. The LMG352xR030 GaN FET always goes to state #1 if a falling edge is detected on the IN pin. OTSD-IDM turns off the GaN FET in OTSD-IDM state #1. OTSD-IDM is waiting for the IN falling edge blank time to expire. This time gives the opposite-side FET time to switch to create a positive drain voltage. After the blank time expires, the device moves to OTSD-IDM state #2.
2. For OTSD-IDM state #2, OTSD-IDM keeps the GaN FET off if it is coming from OTSD-IDM state #1 and turns the GaN FET off if it is coming from OTSD-IDM state #3. OTSD-IDM is monitoring the GaN FET drain voltage in OTSD-IDM state #2. It is looking for a negative drain voltage which means third-quadrant current is flowing. This is also the starting state when the device enters OTSD. After a negative GaN FET drain voltage is detected, the device moves to OTSD-IDM state #3.
3. OTSD-IDM turns on the GaN FET in OTSD-IDM state #3. OTSD-IDM monitors the drain current in this state. If first-quadrant drain current is detected, the device moves to OTSD-IDM state #2.

State #1 is used to protect against shoot-through current. State #1 waits for a fixed time period before proceeding to state #2. The fixed time period is to give the opposite-side switch time to switch and create a positive drain voltage. A fixed time is used to avoid a stuck condition for cases where a positive drain voltage is not created.

State #1 will help protect against shoot-through currents if the converter continues switching when the LMG352xR030 enters OTSD. Meanwhile, if the converter initiates switching with the LMG352xR030 already in OTSD, shoot-through current protection can be obtained by switching the OTSD device first to force it to progress through state #1. For example, the synchronous rectifier in a boost PFC can go into OTSD during initial input power application as the inrush current charges the PFC output cap. A shoot-through current event can be avoided if converter switching begins by switching the synchronous rectifier FET before switching the boost PFC FET.

If there is no IN signal, the state machine only moves between states #2 and #3 as a classic ideal-diode mode state machine. This allows all the inductive elements to discharge, when the power system shuts off, with minimum discharge stress created in the GaN FET.

Note that the OTSD-IDM state machine has no protection against repetitive shoot-through current events. There are degenerate cases, such as the LMG352xR030 losing its IN signal during converter operation, which can expose the OTSD-IDM to repetitive shoot-through current events. There is no good solution in this scenario. If OTSD-IDM did not allow repeated shoot-thru current events, the GaN FET would instead be exposed to excessive off-state third-quadrant losses.

### 7.3.11 Zero-Voltage Detection (ZVD) (LMG3526R030 only)

The zero-voltage switching (ZVS) converters are widely used to improve the power converter's efficiency. However, in those soft-switching topologies like LLC and triangular current mode (TCM) totem pole PFC, the device can lose ZVS depending on the load condition, inductor, magnetic parameters and control techniques, which affects the system efficiency. To insure ZVS, certain design margins or additional circuits are needed which sacrifices the converter performance and adds components.

To simplify the system design for soft-switching converters, LMG3526R030 part integrates a zero-voltage detection (ZVD) circuit that provides a digital feedback signal to indicate if the device has achieved ZVS in the current switching cycle. The circuit diagram is shown in Figure 7-7. When the IN pin signal goes high, the logic circuit checks if the device's  $V_{DS}$  has reached below 0 V to determine whether the device has achieved zero voltage switching in this switching cycle. Once a ZVS is identified, a pulse-output with a width of  $T_{WD\_ZVD}$  will be sent out from the ZVD pin after a delay time of  $T_{DL\_ZVD}$  as indicated in Figure 6-3. Note a certain third quadrant conduction time is required to allow the device detecting a zero-voltage switching, and  $T_{3rd\_ZVD}$  is a function of the gate driver strength as shown in Figure 5-12 .

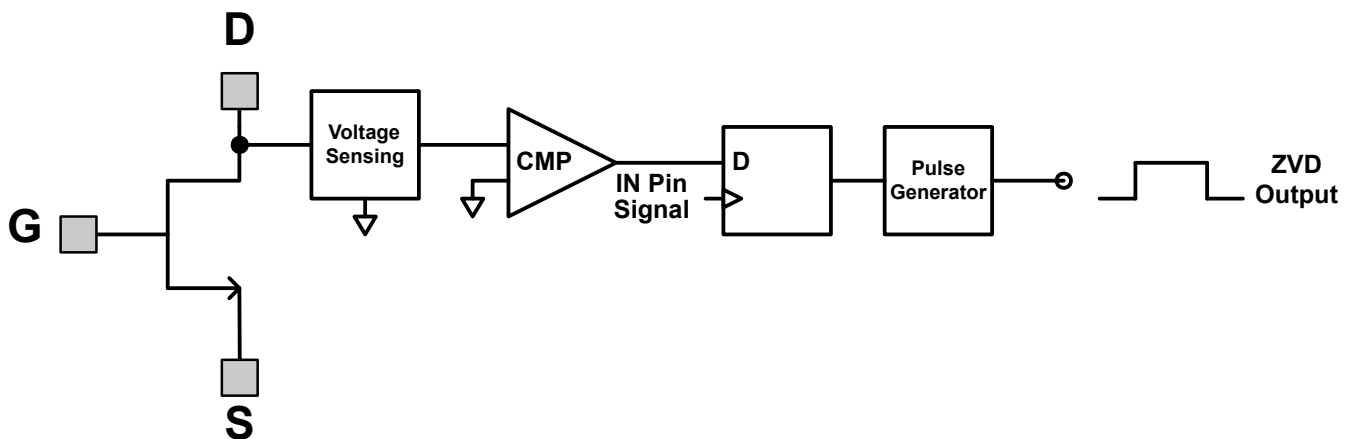


Figure 7-7. Circuit Diagram for Zero-Voltage Detection Circuit Block Diagram

The timings of the ZVD output corresponding to a continuous conduction mode Buck converter is show in Figure 7-8, and the purpose is to demonstrate how ZVD function works in both hard-switching and soft-switching conditions. The load current going out of the switch node is defined as positive. In CCM buck operation, the high-side the hard-switching device while the low-side device can achieve zero-voltage switching with a proper dead-time settings. In the first switching cycle when low-side GaN IN pin rises, the switch-node voltage  $V_{DS}$  has dropped below zero and stays in third quadrant conduction for a period of  $T_1$ . Since this third quadrant conduction time  $T_1$  is larger than the detection time  $T_{3rd\_ZVD}$  specified in electrical characteristic table, a zero-voltage switching is identified and the ZVD pin outputs a pulse signal to indicate that, and the pulse width of the ZVD pulse is also defined in the electrical characteristic table as  $T_{WD}$ . In the second switching cycle, the device is turned on earlier, and the third quadrant conduction time  $T_2$  is less than  $T_{3rd\_ZVD}$ . In this case, the ZVD signal stays low though the device has achieved ZVS. In the third switching cycle, the IN pin signal is advanced even earlier, and the device is in partial hard-switching. Accordingly, the ZVD output stays low in this case. Note the high side ZVD output stays low in this CCM buck operation as it always has hard-switching.

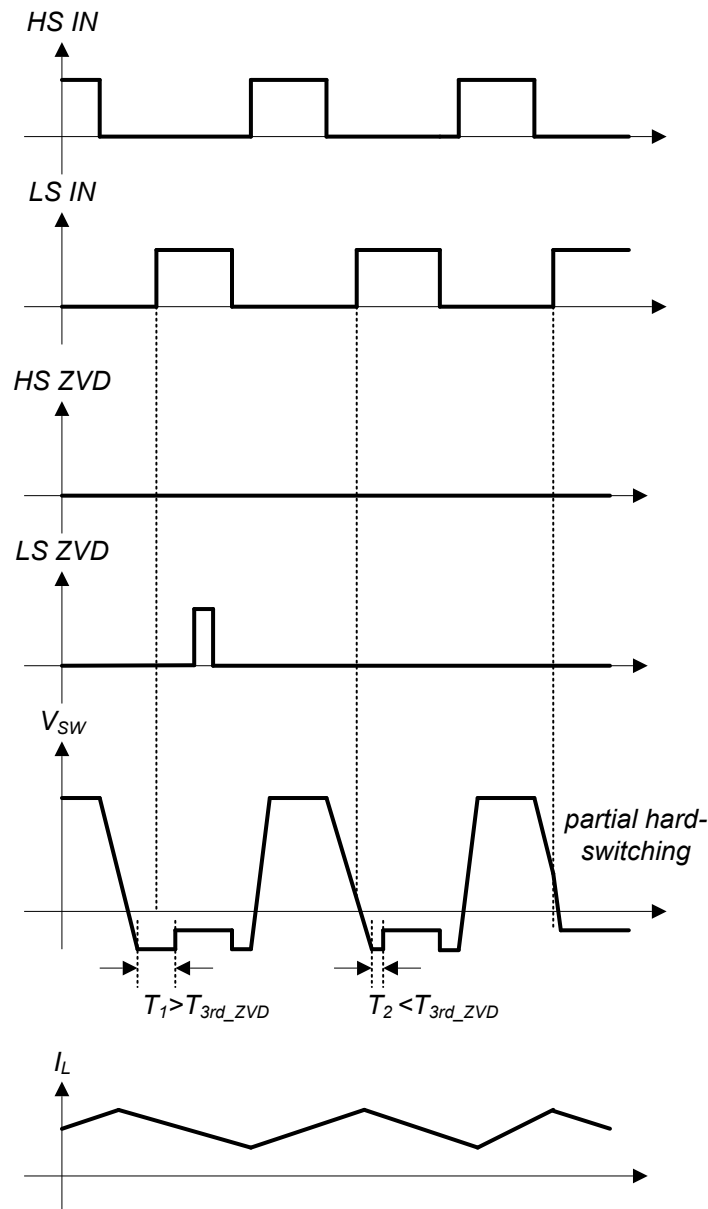


Figure 7-8. ZVD Function in a CCM Buck Converter

The ZVD function can facilitate the control in soft-switching topology, to illustrate it, the ZVD waveforms in a TCM totem pole PFC is shown in Figure 7-9. In this diagram, the positive cycle is considered with  $V_{IN} > 0.5 V_{OUT}$ , and the load current going into the switch node is defined as positive. In the first switching cycle, the load current builds enough negative current, and the low-side device achieves ZVS with a clear third quadrant conduction time beyond  $T_{3rd\_DET}$ . Therefore, the ZVD outputs a pulse signal and provide the ZVS information back. The ZVD pulses are missing in the next two switching cycles because the third quadrant conduction time becomes shorter in second cycle and the device actual loses ZVS in the third cycle.

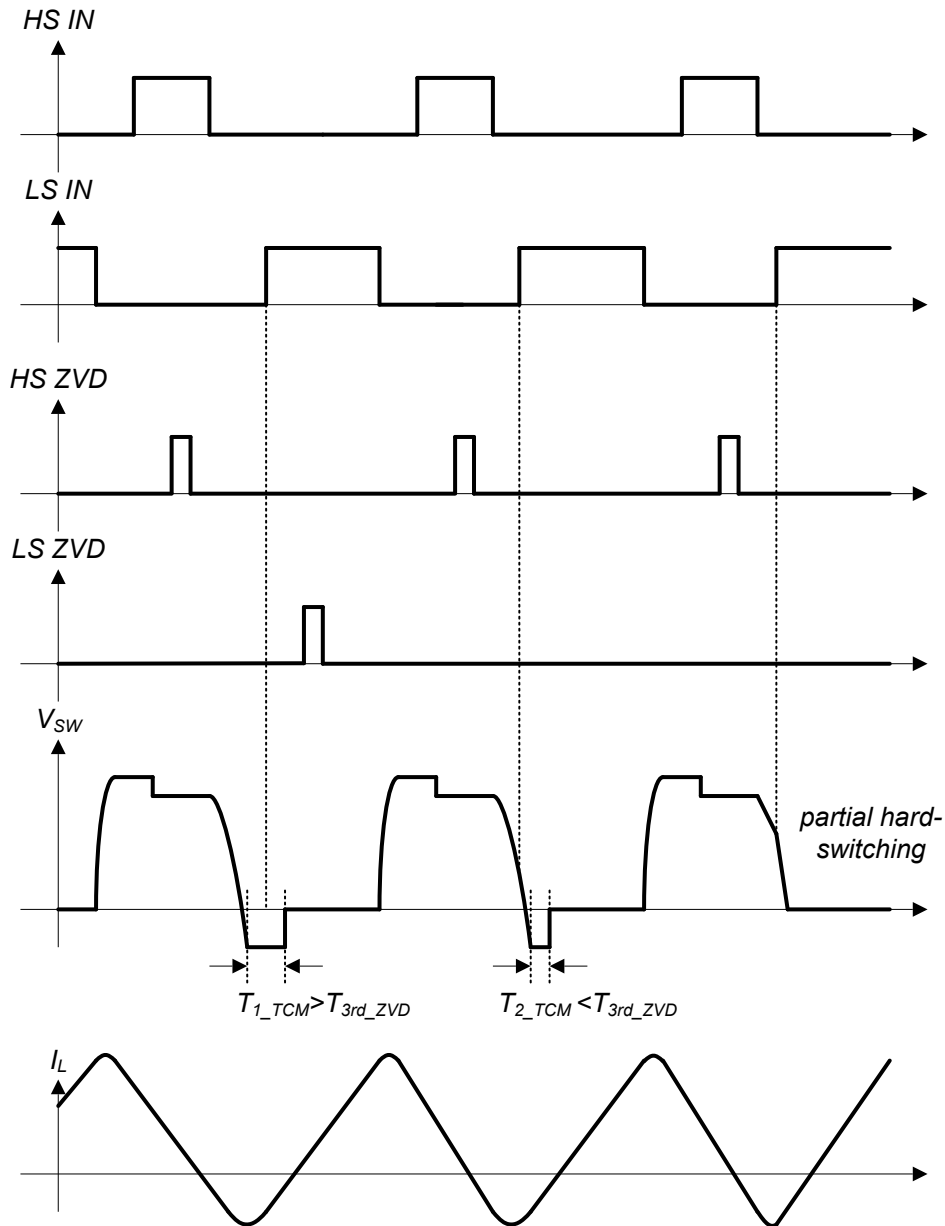
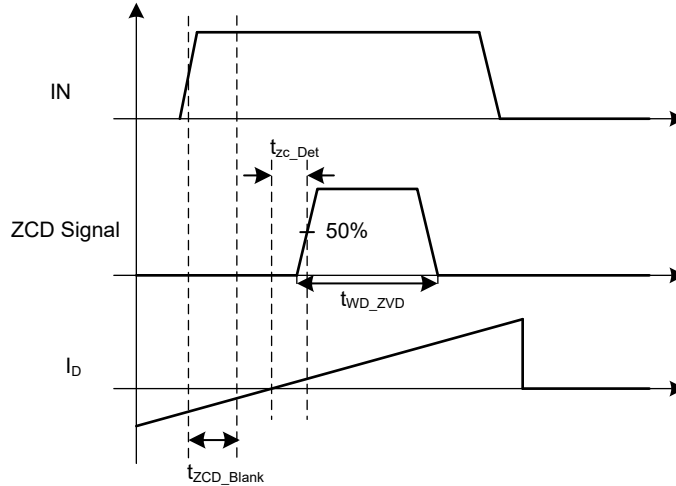


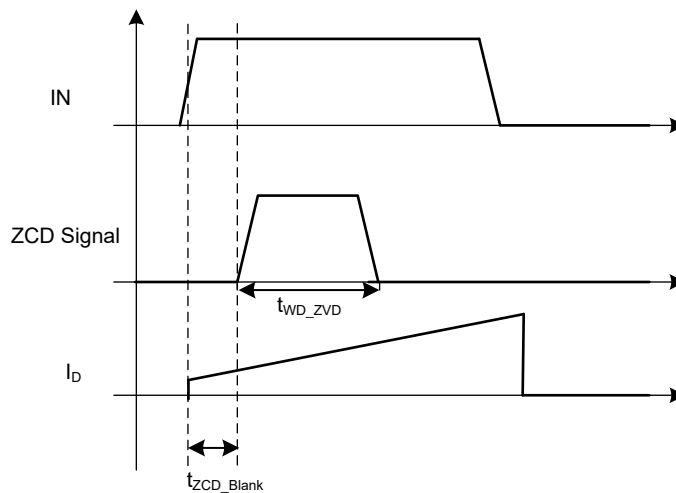
Figure 7-9. ZVD Function in a TCM TP PFC Converter

### 7.3.12 Zero-Current Detection (ZCD) (LMG3527R030 only)

GaN FET is usually used for high frequency soft-switching and the detection of FET current zero-crossing is needed for system control. LMG3527R030 integrates a zero current detection (ZCD) circuit that provides a digital feedback signal when the drain-to-source current is positive. When the IN pin signal goes high, the ZCD circuit includes a blanking time  $t_{ZCD\_Blank}$ , to prevent nuisance ZCD triggering during the turn-on transient. Following the blanking period, the ZCD circuit monitors the drain-to-source current. If the current is negative, a pulse-output with a width of  $t_{WD\_ZVD}$  is set on the ZCD pin after detecting the zero-crossing point, with a delay time of  $t_{zC\_Det}$ . If the current is positive, the pulse output is set on the ZCD pin immediately, as indicated in the timing diagrams below.



**Figure 7-10. ZCD timing diagram when FET turns on into negative current**



**Figure 7-11. ZCD timing diagram when FET turns on into positive current**

## 7.4 Start-Up Sequence

Figure 7-12 shows the start up sequence of LMG352xR030.

Time interval A:  $V_{DD}$  starts to build up.  $\overline{\text{FAULT}}$  signal is initially pulled low.

Time interval B: After  $V_{DD}$  passes the UVLO threshold  $V_{VDD,T+(UVLO)}$ , both LDO5V and  $V_{NEG}$  start to build up. In a typical case where  $C_{LDO5V} = 100\text{nF}$  and  $C_{VNEG} = 2.2\mu\text{F}$ , LDO5V reaches its UVLO threshold earlier than  $V_{NEG}$ . The start-up time may vary if different capacitors are utilized. If  $V_{DD}$  has some glitches and falls below UVLO threshold  $V_{VDD,T-(UVLO)}$  in this time interval, LDO5V and  $V_{NEG}$  will stop building up and only resume when  $V_{DD}$  goes above  $V_{VDD,T+(UVLO)}$  again. A longer start-up time is expected in this case.

Time interval C: After LDO5V and  $V_{NEG}$  both reach their thresholds, the  $\overline{\text{FAULT}}$  signal is cleared (pulled high) and the device is able to switch following the IN pin signal.

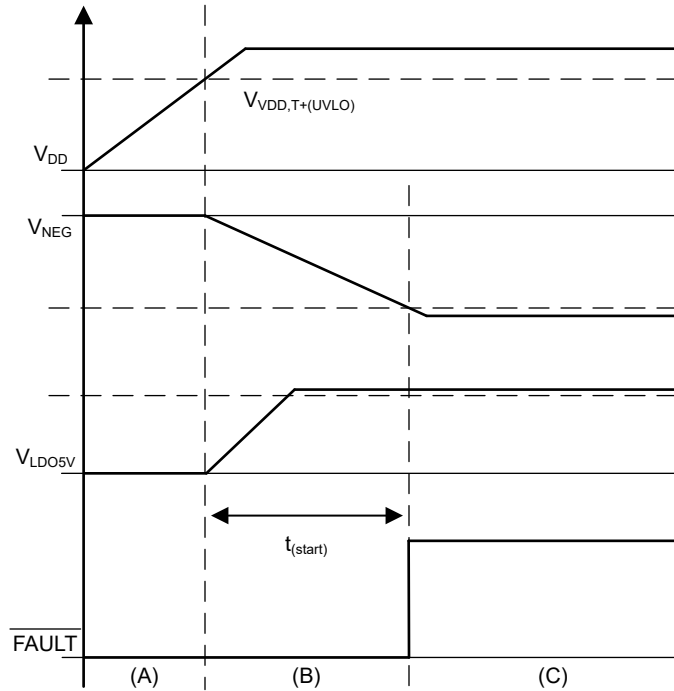


Figure 7-12. Start-Up Timing Diagram

## 7.5 Device Functional Modes

The device has one mode of operation that applies when operated within the Recommended Operating Conditions.

## 8 Application and Implementation

---

### Note

Information in the following applications sections is not part of the TI component specification, and TI does not warrant its accuracy or completeness. TI's customers are responsible for determining suitability of components for their purposes, as well as validating and testing their design implementation to confirm system functionality.

---

### 8.1 Application Information

The LMG352xR030 is a power IC targeting hard-switching and soft-switching applications operating up to 520V bus voltages. GaN devices offer zero reverse-recovery charge enabling high-frequency, hard-switching in applications like the totem-pole PFC. Low  $Q_{oss}$  of GaN devices also benefits soft-switching converters, such as the LLC and phase-shifted full-bridge configurations. As half-bridge configurations are the foundation of the two mentioned applications and many others, this section describes how to use the LMG352xR030 in a half-bridge configuration.

## 8.2 Typical Application

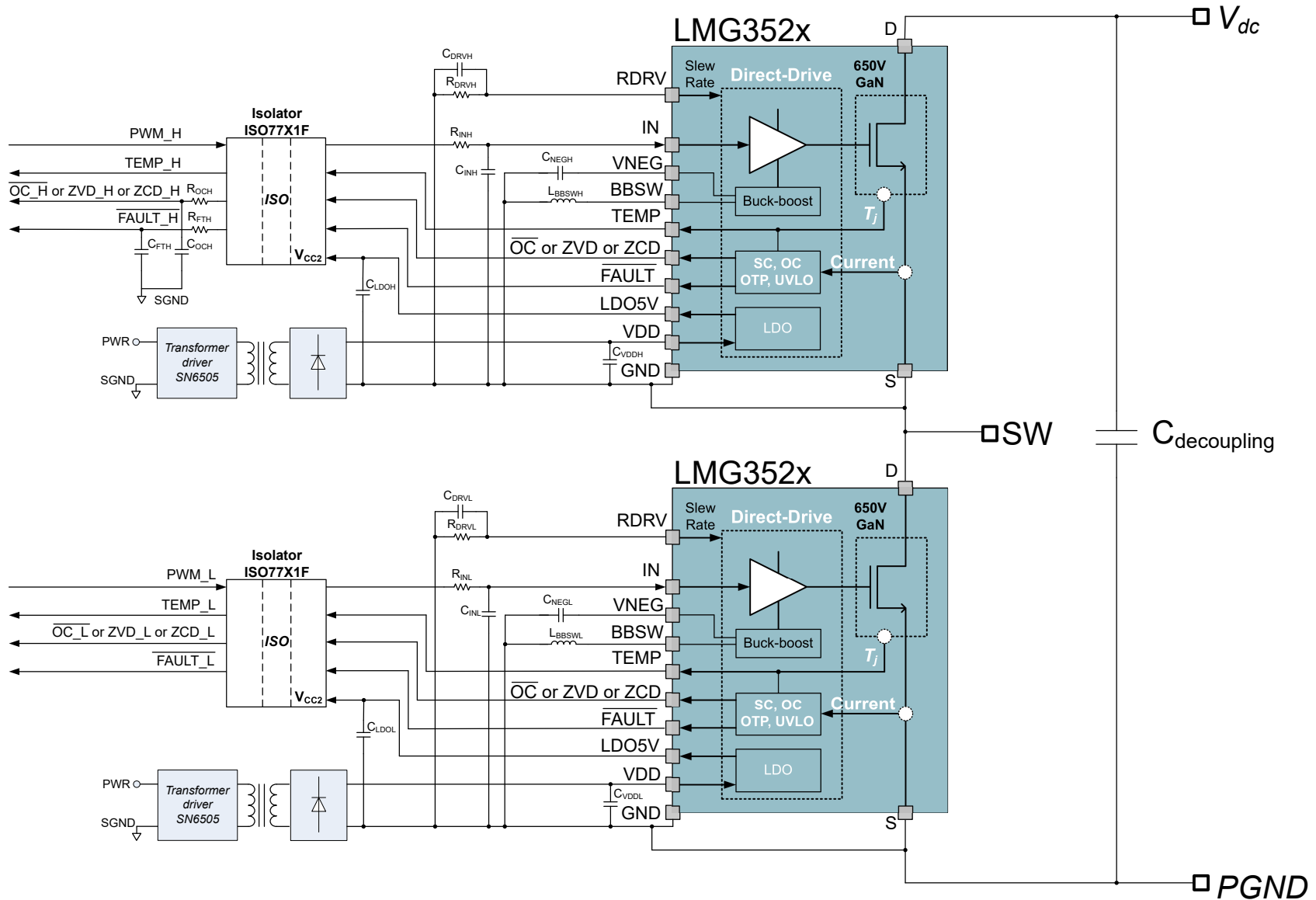
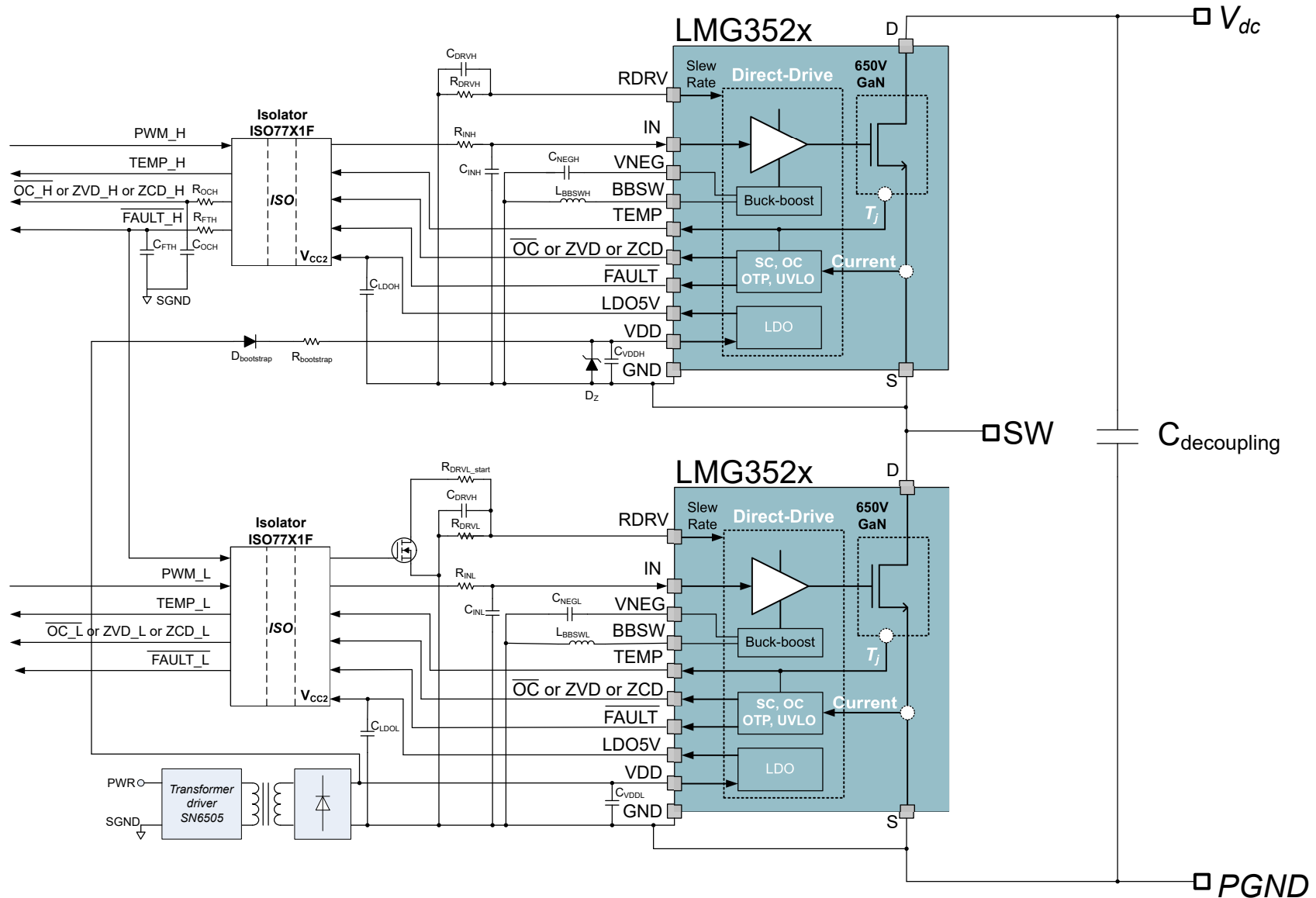


Figure 8-1. Typical Half-Bridge Application With Isolated Power Supply



**Figure 8-2. Typical Half-Bridge Application With Bootstrap**

### 8.2.1 Design Requirements

This design example is for a hard-switched boost converter which is representative of PFC applications. [Table 8-1](#) shows the system parameters for this design.

**Table 8-1. Design Parameters**

| DESIGN PARAMETER         | EXAMPLE VALUE |
|--------------------------|---------------|
| Input voltage            | 200VDC        |
| Output voltage           | 400VDC        |
| Input (inductor) current | 20A           |
| Switching frequency      | 100kHz        |

### 8.2.2 Detailed Design Procedure

In high-voltage power converters, circuit design and PCB layout are essential for high-performance power converters. As designing a power converter is out of the scope of this document, this data sheet describes how to build well-behaved half-bridge configurations with the LMG352xR030.

#### 8.2.2.1 Slew Rate Selection

The slew rate of LMG352xR030 can be adjusted between approximately 20 V/ns and 150V/ns by connecting a resistor,  $R_{RDRV}$ , from the RDRV pin to GND. The RDRV pin is a high-impedance node if a large  $R_{RDRV}$  resistor is used. Therefore it can be susceptible to coupling from the drain or other fast-slewing high-voltage nodes if it is not well-shielded. This will manifest itself as an unstable switching  $dv/dt$  and in extreme cases transient faults due to the RDRV being detected as open. Shielding the pin in the layout should be a priority, however if this coupling is still a problem, a cap of up to 1nF from RDRV to GND can be added to stabilize the pin voltage.

The slew rate affects GaN device performance in terms of:

- Switching loss
- Voltage overshoot
- Noise coupling
- EMI emission

Generally, high slew rates provide low switching loss, but high slew rates can also create higher voltage overshoot, noise coupling, and EMI emissions. Following the design recommendations in this data sheet helps mitigate the challenges caused by a high slew rate. The LMG352xR030 offers circuit designers the flexibility to select the proper slew rate for the best performance of their applications.

##### 8.2.2.1.1 Start-Up and Slew Rate With Bootstrap High-Side Supply

Using a bootstrap supply introduces additional constraints on the start-up of the high-side LMG352xR030. Prior to powering up, the GaN device operates in cascode mode with reduced performance. In some circuits, a slower slew rate can be required for the start-up of a bootstrap-supplied half-bridge configuration. More information can be found in [Using a Bootstrap Diode](#).

#### 8.2.2.2 Signal Level-Shifting

In half-bridges, high-voltage level shifters or digital isolators must be used to provide isolation for signal paths between the high-side device and control circuit. Using an isolator is optional for the low-side device. However, using an isolator equalizes the propagation delays between the high-side and low-side signal paths, and provides the ability to use different grounds for the GaN device and the controller. If an isolator is not used on the low-side device, the control ground and the power ground must be connected at the device and nowhere else on the board. For more information, see [Layout Guidelines](#). With fast-switching devices, common ground inductance can easily cause noise issues without the use of an isolator.

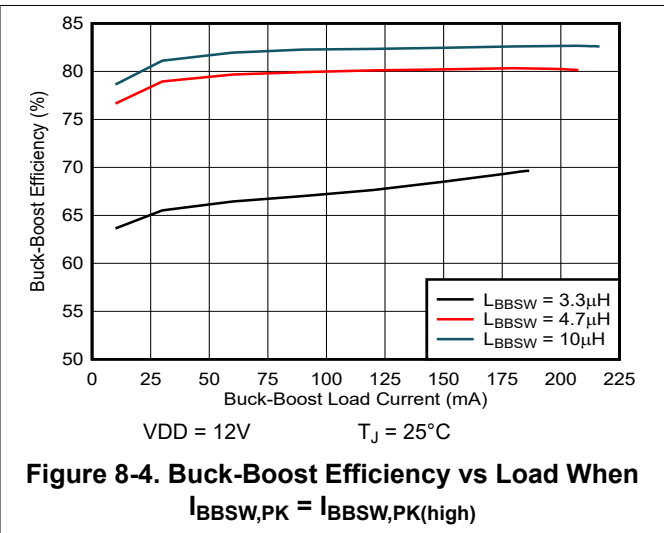
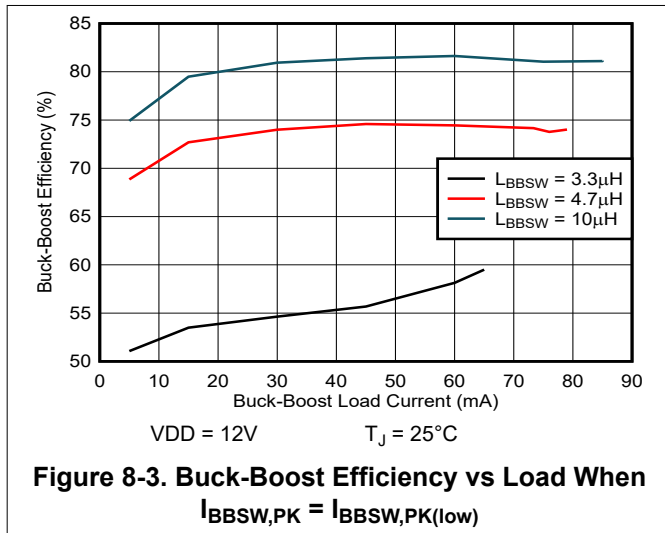
Choosing a digital isolator for level-shifting is important for improvement of noise immunity. As GaN device can easily create high  $dv/dt$ ,  $> 50V/ns$ , in hard-switching applications, TI highly recommends to use isolators with high common-mode transient immunity (CMTI) and low barrier capacitance. Isolators with low CMTI can easily generate false signals, which could cause shoot-through. The barrier capacitance is part of the isolation

capacitance between the signal ground and power ground, which is in direct proportion to the common mode current and EMI emission generated during the switching. Additionally, TI strongly encourages to select isolators which are not edge-triggered. In an edge-triggered isolator, a high dv/dt event can cause the isolator to flip states and cause circuit malfunction.

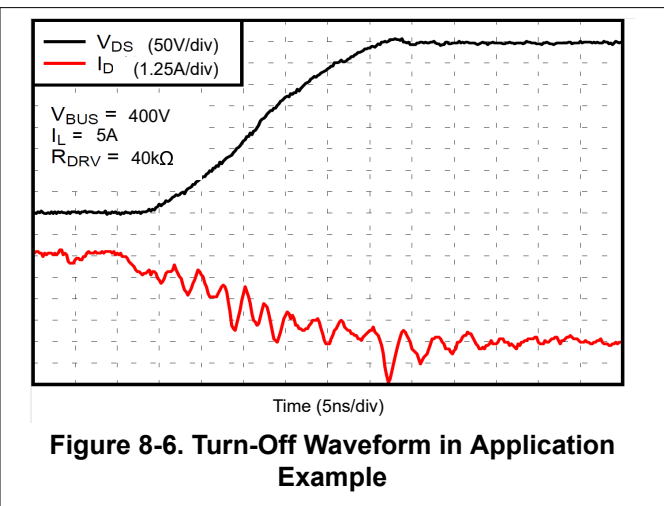
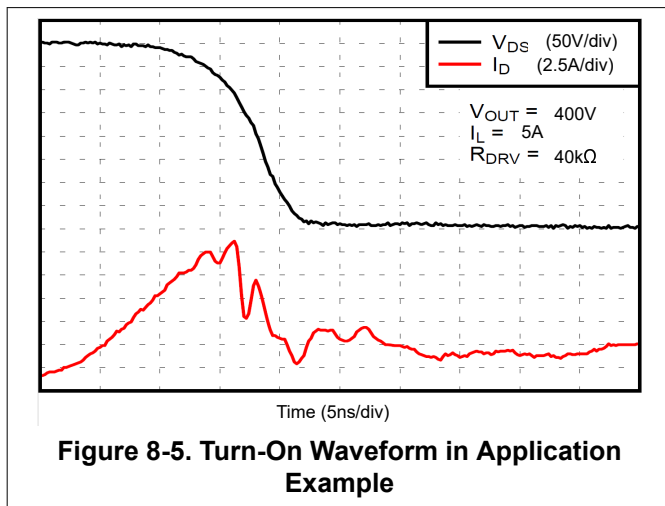
Generally, ON/OFF keyed isolators with default output low are preferred, such as the TI ISO77xxF or ISO67xxF series. Default low state ensures the system will not shoot-through when starting up or recovering from fault events. As a high CMTI event would only cause a very short (a few nanoseconds) false pulse, TI recommends a low pass filter, like 300Ω and 22pF R-C filter, to be placed at the driver input to filter out these false pulses.

### 8.2.2.3 Buck-Boost Converter Design

Figure 8-3 and Figure 8-4 show the buck-boost converter efficiency versus load current with different inductors and peak current modes. A minimum inductance value of 3μH is preferred for the buck-boost converter so that the di/dt across the inductor is not too high. This leaves enough margin for the control loop to respond. As a result, the maximum di/dt of the inductor is limited to 6A/μs. On the other hand, large inductance also limits the transient response for stable output voltage, and it is preferred to have inductors less than 10μH.



### 8.2.3 Application Curves



### 8.3 Do's and Don'ts

The successful use of GaN devices in general, and LMG352xR030 in particular, depends on proper use of the device. When using the LMG352xR030, *DO*:

- Read and fully understand the data sheet, including the application notes and layout recommendations.
- Use a four-layer board and place the return power path on an inner layer to minimize power-loop inductance.
- Use small, surface-mount bypass and bus capacitors to minimize parasitic inductance.
- Use the proper size decoupling capacitors and locate them close to the IC as described in [Layout Guidelines](#).
- Use a signal isolator to supply the input signal for the low-side device. If not, ensure the signal source is connected to the signal GND plane which is tied to the power source *only* at the LMG352xR030 IC.
- Use the FAULT pin to determine power-up state and to detect overcurrent and overtemperature events and safely shut off the converter.

To avoid issues in your system when using the LMG352xR030, *DON'T*:

- Use a single-layer or two-layer PCB for the LMG352xR030 as the power-loop and bypass capacitor inductances is excessive and prevent proper operation of the IC.
- Reduce the bypass capacitor values below the recommended values.
- Allow the device to experience drain transients above 650V as they can damage the device.
- Allow significant third-quadrant conduction when the device is OFF or unpowered, which can cause overheating. Self-protection features cannot protect the device in this mode of operation.
- Ignore the FAULT pin output.

### 8.4 Power Supply Recommendations

The LMG352xR030 only requires an unregulated VDD power supply from 7.5V to 18V. The low-side supply can be obtained from the local controller supply. The supply of the high-side device must come from an isolated supply or a bootstrap supply.

#### 8.4.1 Using an Isolated Power Supply

Using an isolated power supply to power the high-side device has the advantage that it works regardless of continued power-stage switching or duty cycle. Using an isolated power supply can also power the high-side device before power-stage switching begins, eliminating the concern of switching with an unpowered LMG352xR030 (see [Using a Bootstrap Diode](#) for details).

The isolated supply can be obtained with a push-pull converter, a flyback converter, a FlyBuck™ converter, or an isolated power module. When using an unregulated supply, the input of LMG352xR030 must not exceed the maximum supply voltage. A 16V TVS diode can be used to clamp the VDD voltage of LMG352xR030 for additional protection. Minimizing the inter-winding capacitance of the isolated power supply or transformer is necessary to reduce switching loss in hard-switched applications. Furthermore, capacitance across the isolated bias supply inject high currents into the signal-ground of the LMG352xR030 and can cause problematic ground-bounce transients. A common-mode choke can alleviate most of these issues.

#### 8.4.2 Using a Bootstrap Diode

In half-bridge configuration, a floating supply is necessary for the high-side device. To obtain the best performance of LMG352xR030, TI highly recommends [Using an Isolated Power Supply](#). A bootstrap supply can be used with the recommendations of this section.

In applications like a boost converter, the low side LMG352xR030 always start switching while high side LMG352xR030 is unpowered. If the low side is adjusted to achieve very high slew rate before the high side bias is fully settled, there can be unintentional turn-on at the high side due to parasitic coupling at high slew rate. The start-up slew rate must be slowed down to 100V/ns by changing the resistance of RDRV pin of the low side. This slow down can be achieved by controlling the low side RDRV resistance with the high side FAULT as given in [Typical Half-Bridge Application With Bootstrap](#).

#### 8.4.2.1 Diode Selection

The LMG352xR030 offers no reverse-recovery charge and very limited output charge. Hard-switching circuits using the LMG352xR030 also exhibit high voltage slew rates. A compatible bootstrap diode must not introduce high output charge and reverse-recovery charge.

A silicon carbide diode, like the GB01SLT06-214, can be used to avoid reverse-recovery effects. The SiC diode has an output charge of 3nC. Although there is additional loss from its output charge, it does not dominate the losses of the switching stage.

#### 8.4.2.2 Managing the Bootstrap Voltage

In a synchronous buck or other converter where the low-side switch occasionally operates in third-quadrant, the bootstrap supply charges through a path that includes the third-quadrant voltage drop of the low-side LMG352xR030 during the dead time as shown in Figure 8-7. This third-quadrant drop can be large, which can over-charge the bootstrap supply in certain conditions. The  $V_{DD}$  supply of LMG352xR030 must be kept below 18V.

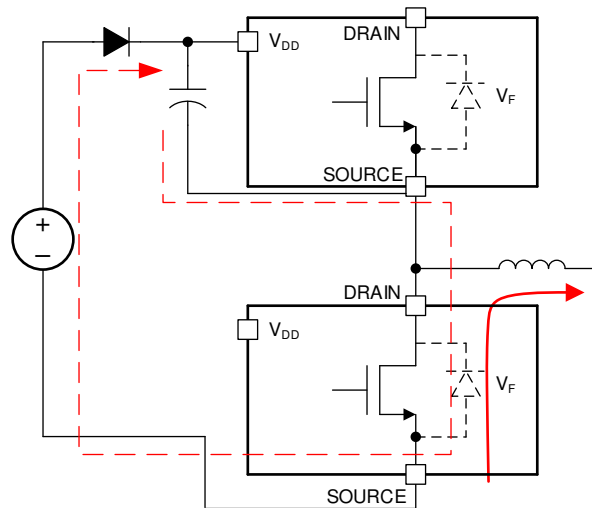


Figure 8-7. Charging Path for Bootstrap Diode

As shown in Figure 8-8, the recommended bootstrap supply includes a bootstrap diode, a series resistor, and a 16V TVS or Zener diode in parallel with the  $V_{DD}$  bypass capacitor to prevent damaging the high-side LMG352xR030. The series resistor limits the charging current at start-up and when the low-side device is operating in third-quadrant mode. This resistor must be selected to allow sufficient current to power the LMG352xR030 at the desired operating frequency. At 100kHz operation, TI recommends a value of approximately 2Ω. At higher frequencies, this resistor value must be reduced or the resistor omitted entirely to ensure sufficient supply current.

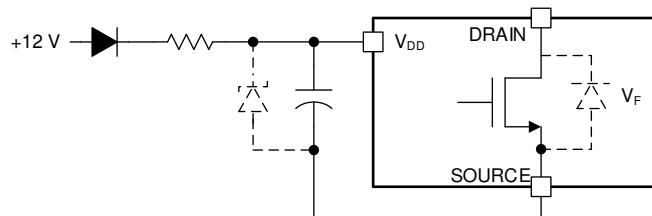


Figure 8-8. Suggested Bootstrap Regulation Circuit

## 8.5 Layout

### 8.5.1 Layout Guidelines

The layout of the LMG352xR030 is critical to its performance and functionality. Because the half-bridge configuration is typically used with these GaN devices, layout recommendations are considered with this configuration. A four-layer or higher layer count board is required to reduce the parasitic inductances of the layout to achieve suitable performance. [Figure 8-9](#) summarizes the critical layout guidelines, and more details are further elaborated in the following sections.

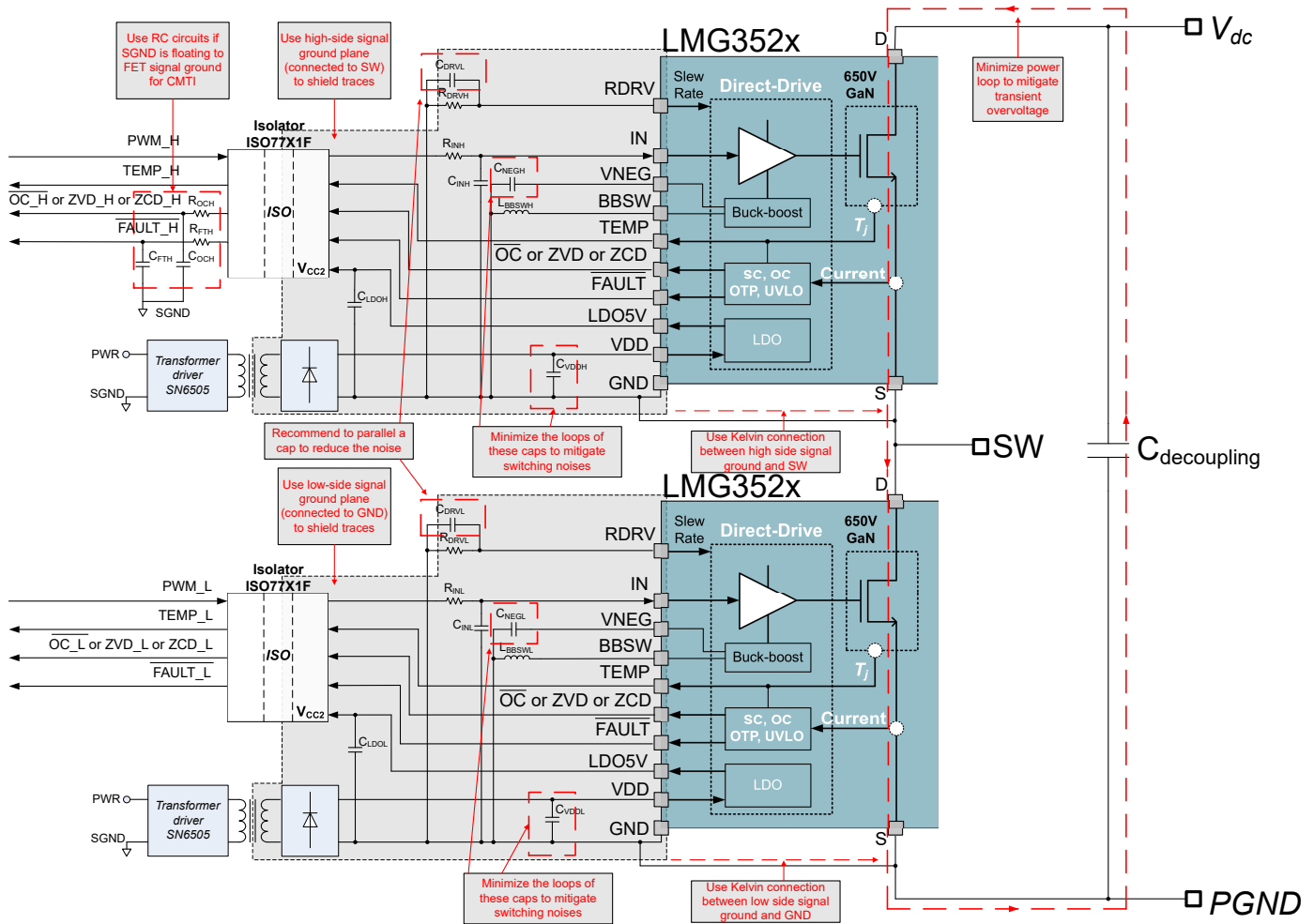


Figure 8-9. Typical Schematic With Layout Considerations

#### 8.5.1.1 Solder-Joint Reliability

Large QFN packages can experience high solder-joint stress. TI recommends several best practices to ensure solder-joint reliability. First, the instructions for the NC1 and NC2 anchor pins found in [Table 4-1](#) must be followed. Second, all the LMG352xR030 board solder pads must be non-solder-mask defined (NSMD) as shown in the land pattern example in *Mechanical, Packaging, and Orderable Information*. Finally, any board trace connected to an NSMD pad must be less than 2/3 the width of the pad on the pad side where it is connected. The trace must maintain this 2/3 width limit for as long as it is not covered by solder mask. After the trace is under solder mask, there are no limits on the trace dimensions. All these recommendations are followed in the [Layout Example](#).

### 8.5.1.2 Power-Loop Inductance

The power loop, comprising of the two devices in the half bridge and the high-voltage bus capacitance, undergoes high  $di/dt$  during switching events. By minimizing the inductance of this loop, ringing and electromagnetic interference (EMI) can be reduced, as well as reducing voltage stress on the devices.

Place the power devices as close as possible to minimize the power loop inductance. The decoupling capacitors are positioned in line with the two devices. They can be placed close to either device. In [Layout Examples](#), the devices are placed on the bottom layer and the decoupling capacitors are placed on the top layer. The PGND is placed on the top layer, the HVBUS is located on top and third layer, and the switching node is on the top layer. They are connected to the power devices on bottom layer with vias. Area of traces close to the devices are minimized by bottom layer in order to keep clearance between heatsink and conductors.

The power loop inductance can be estimated based on the ringing frequency  $f_{ring}$  of the drain-source voltage switching waveform based on the following equation:

$$L_{pl} = \frac{1}{4\pi^2 f_{ring}^2 C_{ring}} \quad (3)$$

where  $C_{ring}$  is equal to  $C_{OSS}$  at the bus voltage (refer to [Figure 5-8](#) for the typical value) plus the drain-source parasitic capacitance from the board and load inductor or transformer.

As the parasitic capacitance of load components is hard to characterize, it is recommended to capture the  $V_{DS}$  switching waveform without load components to estimate the power loop inductance. Typically, the power loop inductance of the [Layout Example](#) is around 2.5nH.

### 8.5.1.3 Signal-Ground Connection

The LMG352xR030's SOURCE pins are internally connected to the power IC signal ground. The return path for the passives associated to the driver (for example, bypass capacitance) must be connected to the SOURCE pins. Local signal ground planes must be connected to SOURCE pins with low impedance star connection. In [Layout Examples](#), local signal ground planes are located on third layer to act as the return path for the local circuitry, and connected to the SOURCE pins with vias between the third layer and the bottom layer.

### 8.5.1.4 Bypass Capacitors

The gate drive loop impedance must be minimized to obtain good performance. Although the gate driver is integrated on package, the bypass capacitance for the driver is placed externally. As the GaN device is turned off to a negative voltage, the impedance of the path to the external VNEG capacitor is included in the gate drive loop. The VNEG capacitor must be placed close to VNEG and SOURCE pins. In the [Section 8.5.2](#), the bypass capacitors, C3 and C13, are located in the top layer and are connected to VNEG pins with vias and SOURCE pins through the local signal ground plane.

The VDD pin bypass capacitors, C1 and C11, must also be placed close to the VDD pin with low impedance connections.

### 8.5.1.5 Switch-Node Capacitance

GaN devices have very low output capacitance and switch quickly with a high  $dv/dt$ , yielding very low switching losses. To preserve this low switching losses, additional capacitance added to the output node must be minimized. The PCB capacitance at the switch node can be minimized by following these guidelines:

- Minimize overlap between the switch-node plane and other power and ground planes.
- Make the GND return path under the high-side device thinner while still maintaining a low-inductance path.
- Choose high-side isolator ICs and bootstrap diodes with low capacitance.
- Place the power inductor as close to the GaN device as possible.
- Power inductors must be constructed with a single-layer winding to minimize intra-winding capacitance.
- If a single-layer inductor is not possible, consider placing a small inductor between the primary inductor and the GaN device to effectively shield the GaN device from the additional capacitance.
- If a back-side heat-sink is used, use the least amount of area of the switch-node copper coverage on the bottom copper layer to improve the thermal dissipation.

#### 8.5.1.6 Signal Integrity

The control signals to the LMG352xR030 must be protected from the high  $dv/dt$  caused by fast switching. Coupling between the control signals and the drain can cause circuit instability and potential destruction. Route the control signals (IN, FAULT and  $\overline{OC}$  / ZVD) over a ground plane placed on an adjacent layer. In [Layout Example](#), for example, all the signals are routed on layers close to the local signal ground plane.

Capacitive coupling between the traces for the high-side device and the static planes, such as PGND and HVBUS, could cause common mode current and ground bounce. The coupling can be mitigated by reducing overlap between the high-side traces and the static planes. For the high-side level shifter, ensure no copper from either the input or output side extends beneath the isolator or the CMTI of the device can be compromised.

#### 8.5.1.7 High-Voltage Spacing

Circuits using the LMG352xR030 involve high voltage, potentially up to 650V. When laying out circuits using the LMG352xR030, understand the creepage and clearance requirements for the application and how they apply to the GaN device. Functional (or working) isolation is required between the source and drain of each transistor, and between the high-voltage power supply and ground. Functional isolation or perhaps stronger isolation (such as reinforced isolation) can be required between the input circuitry to the LMG352xR030 and the power controller. Choose signal isolators and PCB spacing (creepage and clearance) distances which meet your isolation requirements.

If a heat sink is used to manage thermal dissipation of the LMG352xR030, ensure necessary electrical isolation and mechanical spacing is maintained between the heat sink and the PCB.

#### 8.5.1.8 Thermal Recommendations

The LMG352xR030 is a lateral device grown on a Si substrate. The thermal pad is connected to the source of device. The LMG352xR030 can be used in applications with significant power dissipation, for example, hard-switched power converters. In these converter, TI recommends a heat sink connected to the top side of LMG352xR030. The heat sink can be applied with thermal interface materials (TIMs), like thermal pad with electrical isolation.

Refer to the [High Voltage Half Bridge Design Guide for LMG3410 Smart GaN FET](#) application note for more recommendations and performance data on thermal layouts.



## 9 Device and Documentation Support

### 9.1 Documentation Support

#### 9.1.1 Related Documentation

- Texas Instruments, [High Voltage Half Bridge Design Guide for LMG3410 Smart GaN FET](#) application note
- Texas Instruments, [A New Approach to Validate GaN FET Reliability to Power-line Surges Under Use-conditions](#)
- Texas Instruments, [Achieving GaN Products With Lifetime Reliability](#)
- Texas Instruments, [Direct-drive configuration for GaN devices](#)

### 9.2 Receiving Notification of Documentation Updates

To receive notification of documentation updates, navigate to the device product folder on [ti.com](http://ti.com). Click on *Notifications* to register and receive a weekly digest of any product information that has changed. For change details, review the revision history included in any revised document.

### 9.3 Support Resources

[TI E2E™ support forums](#) are an engineer's go-to source for fast, verified answers and design help — straight from the experts. Search existing answers or ask your own question to get the quick design help you need.

Linked content is provided "AS IS" by the respective contributors. They do not constitute TI specifications and do not necessarily reflect TI's views; see TI's [Terms of Use](#).

### 9.4 Trademarks

FlyBuck™ and TI E2E™ are trademarks of Texas Instruments.  
All trademarks are the property of their respective owners.

### 9.5 Electrostatic Discharge Caution



This integrated circuit can be damaged by ESD. Texas Instruments recommends that all integrated circuits be handled with appropriate precautions. Failure to observe proper handling and installation procedures can cause damage.

ESD damage can range from subtle performance degradation to complete device failure. Precision integrated circuits may be more susceptible to damage because very small parametric changes could cause the device not to meet its published specifications.

### 9.6 Export Control Notice

Recipient agrees to not knowingly export or re-export, directly or indirectly, any product or technical data (as defined by the U.S., EU, and other Export Administration Regulations) including software, or any controlled product restricted by other applicable national regulations, received from disclosing party under nondisclosure obligations (if any), or any direct product of such technology, to any destination to which such export or re-export is restricted or prohibited by U.S. or other applicable laws, without obtaining prior authorization from U.S. Department of Commerce and other competent Government authorities to the extent required by those laws.

### 9.7 Glossary

[TI Glossary](#) This glossary lists and explains terms, acronyms, and definitions.

## 10 Revision History

NOTE: Page numbers for previous revisions may differ from page numbers in the current version.

### Changes from Revision A (May 2024) to Revision B (January 2025) Page

- Added LMG3527R030 device to the data sheet and set to Production Data..... 1

### Changes from Revision \* (November 2022) to Revision A (May 2024) Page

- Added LMG3526R030 device to the data sheet..... 1
- Removed Switching Performance at >100V/ns graph..... 1
- Updated text and added table in the *Description* section..... 1
- Removed the phrase "connected with reference ground" in the table header of the Absolute Maximum Ratings, Recommended Operating Conditions, Electrical Characteristics, and Switching Characteristics sections..... 6
- Changed 50mA to 40mA in the VNEG output voltage specification test condition in the Buck Boost Converter sub-section of the Electrical Characteristics section..... 6
- Added  $V_{DS} = 520V$  to table header in the Switching Characteristics section..... 6
- Updated second figure in the *Switching Parameters* section..... 14
- Moved *Safe Operation Area (SOA)* section out of the *Feature Description* section..... 17
- Updated text in the *Overview* section..... 18
- Added sentence clarifying application usage in *Drain-Source Voltage Capability* section..... 23
- Updated text in the *VDD Bias Supply* section..... 25
- Updated title and text in the *Fault Protection* section..... 25
- Updated text and second figure in the *Overcurrent Protection and Short-Circuit Protection* section..... 25
- Added the *High-Impedance RDRV Pin Protection* section..... 28
- Updated text and table, and added table in the *Fault Reporting* section..... 28
- Converted text to a note in the *Drive-Strength Adjustment* section..... 28
- Updated text in the *Temperature-Sensing Output* section..... 30
- Updated text in the *Overtemperature-Shutdown Ideal-Diode Mode* section..... 30
- Updated text in the *Do's and Don'ts* section..... 42
- Updated text in the *Using an Isolated Power Supply* section..... 42

## 11 Mechanical, Packaging, and Orderable Information

The following pages include mechanical, packaging, and orderable information. This information is the most current data available for the designated devices. This data is subject to change without notice and revision of this document. For browser-based versions of this data sheet, refer to the left-hand navigation.

**PACKAGING INFORMATION**

| Orderable Device | Status<br>(1) | Package Type | Package Drawing | Pins | Package Qty | Eco Plan<br>(2)     | Lead finish/<br>Ball material<br>(6) | MSL Peak Temp<br>(3) | Op Temp (°C) | Device Marking<br>(4/5) | Samples                 |
|------------------|---------------|--------------|-----------------|------|-------------|---------------------|--------------------------------------|----------------------|--------------|-------------------------|-------------------------|
| LMG3522R030RQSR  | ACTIVE        | VQFN         | RQS             | 52   | 2000        | RoHS-Exempt & Green | NIPDAU                               | Level-3-260C-168 HR  | -40 to 150   | LMG3522R030             | <a href="#">Samples</a> |
| LMG3526R030RQSR  | ACTIVE        | VQFN         | RQS             | 52   | 2000        | RoHS-Exempt & Green | NIPDAU                               | Level-3-260C-168 HR  | -40 to 150   | LMG3526R030             | <a href="#">Samples</a> |
| LMG3526R030RQST  | ACTIVE        | VQFN         | RQS             | 52   | 250         | RoHS-Exempt & Green | NIPDAU                               | Level-3-260C-168 HR  | -40 to 150   | LMG3526R030             | <a href="#">Samples</a> |

(1) The marketing status values are defined as follows:

**ACTIVE:** Product device recommended for new designs.

**LIFEBUY:** TI has announced that the device will be discontinued, and a lifetime-buy period is in effect.

**NRND:** Not recommended for new designs. Device is in production to support existing customers, but TI does not recommend using this part in a new design.

**PREVIEW:** Device has been announced but is not in production. Samples may or may not be available.

**OBSELETE:** TI has discontinued the production of the device.

(2) **RoHS:** TI defines "RoHS" to mean semiconductor products that are compliant with the current EU RoHS requirements for all 10 RoHS substances, including the requirement that RoHS substance do not exceed 0.1% by weight in homogeneous materials. Where designed to be soldered at high temperatures, "RoHS" products are suitable for use in specified lead-free processes. TI may reference these types of products as "Pb-Free".

**RoHS Exempt:** TI defines "RoHS Exempt" to mean products that contain lead but are compliant with EU RoHS pursuant to a specific EU RoHS exemption.

**Green:** TI defines "Green" to mean the content of Chlorine (Cl) and Bromine (Br) based flame retardants meet JS709B low halogen requirements of <=1000ppm threshold. Antimony trioxide based flame retardants must also meet the <=1000ppm threshold requirement.

(3) MSL, Peak Temp. - The Moisture Sensitivity Level rating according to the JEDEC industry standard classifications, and peak solder temperature.

(4) There may be additional marking, which relates to the logo, the lot trace code information, or the environmental category on the device.

(5) Multiple Device Markings will be inside parentheses. Only one Device Marking contained in parentheses and separated by a "~" will appear on a device. If a line is indented then it is a continuation of the previous line and the two combined represent the entire Device Marking for that device.

(6) Lead finish/Ball material - Orderable Devices may have multiple material finish options. Finish options are separated by a vertical ruled line. Lead finish/Ball material values may wrap to two lines if the finish value exceeds the maximum column width.

**Important Information and Disclaimer:**The information provided on this page represents TI's knowledge and belief as of the date that it is provided. TI bases its knowledge and belief on information provided by third parties, and makes no representation or warranty as to the accuracy of such information. Efforts are underway to better integrate information from third parties. TI has taken and continues to take reasonable steps to provide representative and accurate information but may not have conducted destructive testing or chemical analysis on incoming materials and chemicals. TI and TI suppliers consider certain information to be proprietary, and thus CAS numbers and other limited information may not be available for release.

In no event shall TI's liability arising out of such information exceed the total purchase price of the TI part(s) at issue in this document sold by TI to Customer on an annual basis.

**OTHER QUALIFIED VERSIONS OF LMG3522R030 :**

- Automotive : [LMG3522R030-Q1](#)

**NOTE: Qualified Version Definitions:**

- Automotive - Q100 devices qualified for high-reliability automotive applications targeting zero defects

**TAPE AND REEL INFORMATION**

**QUADRANT ASSIGNMENTS FOR PIN 1 ORIENTATION IN TAPE**


\*All dimensions are nominal

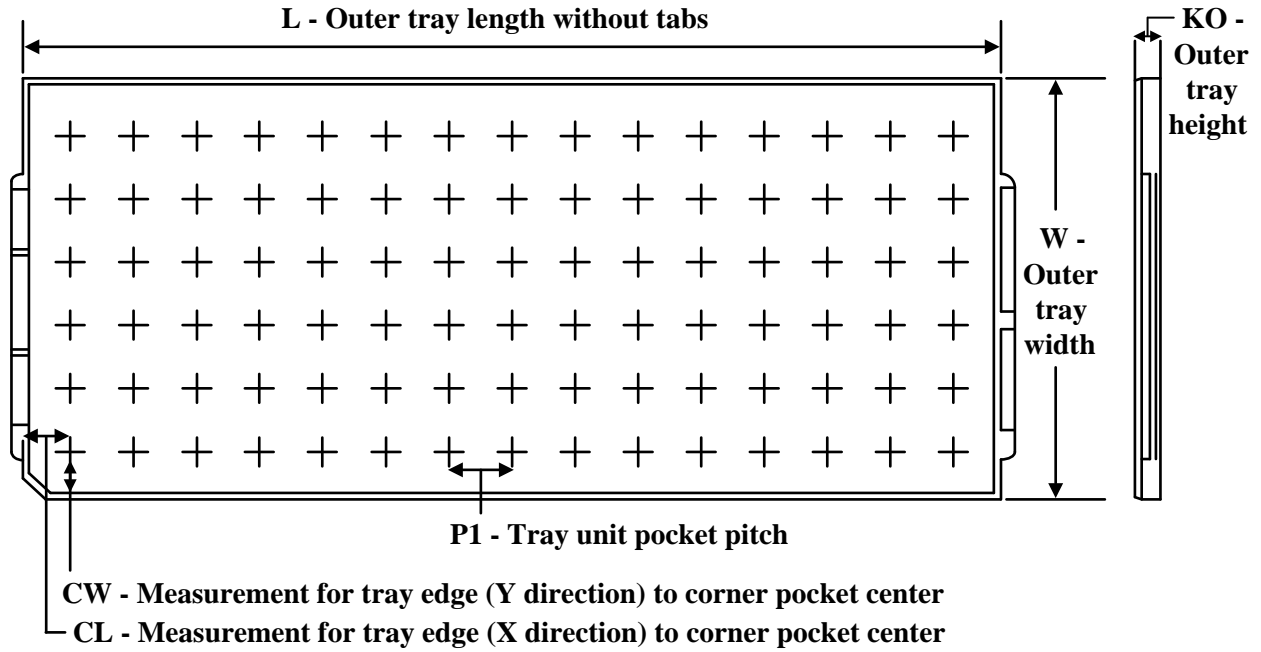
| Device          | Package Type | Package Drawing | Pins | SPQ  | Reel Diameter (mm) | Reel Width W1 (mm) | A0 (mm) | B0 (mm) | K0 (mm) | P1 (mm) | W (mm) | Pin1 Quadrant |
|-----------------|--------------|-----------------|------|------|--------------------|--------------------|---------|---------|---------|---------|--------|---------------|
| LMG3522R030RQSR | VQFN         | RQS             | 52   | 2000 | 330.0              | 24.4               | 12.35   | 12.35   | 1.5     | 16.0    | 24.0   | Q2            |
| LMG3526R030RQSR | VQFN         | RQS             | 52   | 2000 | 330.0              | 24.4               | 12.35   | 12.35   | 1.5     | 16.0    | 24.0   | Q2            |
| LMG3526R030RQST | VQFN         | RQS             | 52   | 250  | 180.0              | 24.4               | 12.35   | 12.35   | 1.5     | 16.0    | 24.0   | Q2            |

**TAPE AND REEL BOX DIMENSIONS**


\*All dimensions are nominal

| Device          | Package Type | Package Drawing | Pins | SPQ  | Length (mm) | Width (mm) | Height (mm) |
|-----------------|--------------|-----------------|------|------|-------------|------------|-------------|
| LMG3522R030RQSR | VQFN         | RQS             | 52   | 2000 | 350.0       | 350.0      | 43.0        |
| LMG3526R030RQSR | VQFN         | RQS             | 52   | 2000 | 350.0       | 350.0      | 43.0        |
| LMG3526R030RQST | VQFN         | RQS             | 52   | 250  | 213.0       | 191.0      | 55.0        |

**TRAY**



Chamfer on Tray corner indicates Pin 1 orientation of packed units.

\*All dimensions are nominal

| Device          | Package Name | Package Type | Pins | SPQ  | Unit array matrix | Max temperature (°C) | L (mm) | W (mm) | K0 (µm) | P1 (mm) | CL (mm) | CW (mm) |
|-----------------|--------------|--------------|------|------|-------------------|----------------------|--------|--------|---------|---------|---------|---------|
| LMG3522R030RQSR | RQS          | VQFN         | 52   | 2000 | 8 x 21            | 180                  | 322.6  | 135.9  | 7620    | 14.65   | 11      | 11.95   |
| LMG3526R030RQSR | RQS          | VQFN         | 52   | 2000 | 8 x 21            | 180                  | 322.6  | 135.9  | 7620    | 14.65   | 11      | 11.95   |
| LMG3526R030RQST | RQS          | VQFN         | 52   | 250  | 8 x 21            | 180                  | 322.6  | 135.9  | 7620    | 14.65   | 11      | 11.95   |

## GENERIC PACKAGE VIEW

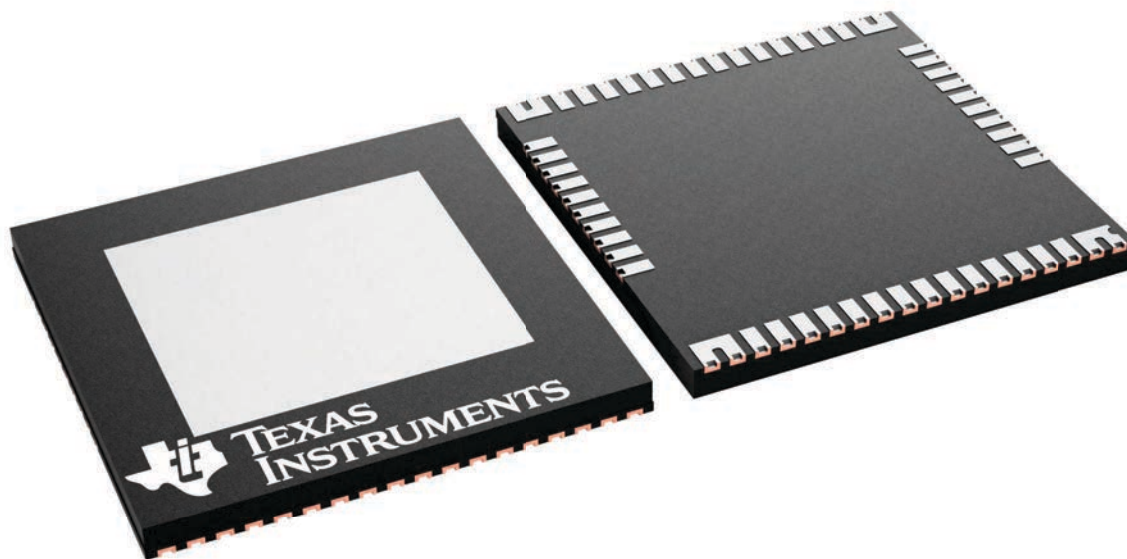
**RQS 52**

**VQFN - 1 mm max height**

12 x 12, 0.65 mm pitch

PLASTIC QUAD FLATPACK - NO LEAD

This image is a representation of the package family, actual package may vary.  
Refer to the product data sheet for package details.



4226769/A

## IMPORTANT NOTICE AND DISCLAIMER

TI PROVIDES TECHNICAL AND RELIABILITY DATA (INCLUDING DATA SHEETS), DESIGN RESOURCES (INCLUDING REFERENCE DESIGNS), APPLICATION OR OTHER DESIGN ADVICE, WEB TOOLS, SAFETY INFORMATION, AND OTHER RESOURCES "AS IS" AND WITH ALL FAULTS, AND DISCLAIMS ALL WARRANTIES, EXPRESS AND IMPLIED, INCLUDING WITHOUT LIMITATION ANY IMPLIED WARRANTIES OF MERCHANTABILITY, FITNESS FOR A PARTICULAR PURPOSE OR NON-INFRINGEMENT OF THIRD PARTY INTELLECTUAL PROPERTY RIGHTS.

These resources are intended for skilled developers designing with TI products. You are solely responsible for (1) selecting the appropriate TI products for your application, (2) designing, validating and testing your application, and (3) ensuring your application meets applicable standards, and any other safety, security, regulatory or other requirements.

These resources are subject to change without notice. TI grants you permission to use these resources only for development of an application that uses the TI products described in the resource. Other reproduction and display of these resources is prohibited. No license is granted to any other TI intellectual property right or to any third party intellectual property right. TI disclaims responsibility for, and you will fully indemnify TI and its representatives against, any claims, damages, costs, losses, and liabilities arising out of your use of these resources.

TI's products are provided subject to [TI's Terms of Sale](#) or other applicable terms available either on [ti.com](https://www.ti.com) or provided in conjunction with such TI products. TI's provision of these resources does not expand or otherwise alter TI's applicable warranties or warranty disclaimers for TI products.

TI objects to and rejects any additional or different terms you may have proposed.

Mailing Address: Texas Instruments, Post Office Box 655303, Dallas, Texas 75265

Copyright © 2025, Texas Instruments Incorporated