

ISSUE 2; June 2024

Description

- Standard 2 x 1.6mm SMD crystal.
Ceramic package with a seam sealed metal lid, hermetically sealed.

Frequency Parameters

- Frequency: 16.0MHz to 72.0MHz
- Frequency Tolerance: $\pm 10.00\text{ppm}$ to $\pm 50.00\text{ppm}$
- Frequency Stability: $\pm 15.00\text{ppm}$ to $\pm 100.00\text{ppm}$
- Ageing: $\pm 3\text{ppm}$ per year

Electrical Parameters

- Load Capacitance (CL): 8.0pF to 47.0pF
- Shunt Capacitance (C0): 3pF max
- Drive Level: 100 μ W max

Operating Temperature Ranges

- 20 to 70°C
- 40 to 85°C
- 40 to 105°C
- 40 to 125°C

Environmental Parameters

- Storage Temperature Range: -55 to 125°C
- Vibration (MIL-STD-202 Method 204): Frequency: 10 - 55 Hz. Amplitude: 0.7 - 0.9 mm pk-pk. Sweep: 1 minute. Duration: 2 hours in each of 3 mutually perpendicular direction.
- Shock Test (MIL-STD-202 Method 213. Condition C): Half-sine shock pulse peak acceleration of 100g ; pulse duration of 6ms.

Manufacturing Details

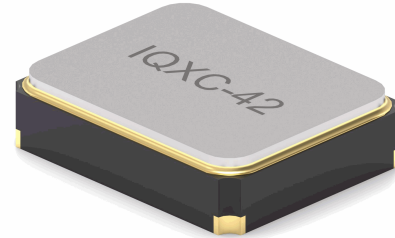
- RoHS Terminations: Au

Ordering Information

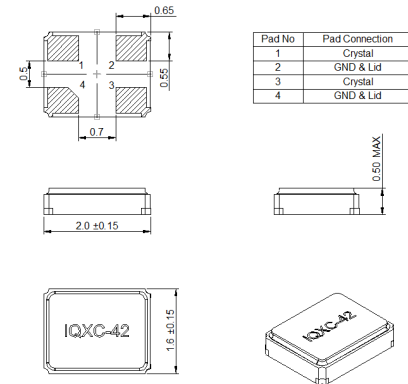
- Frequency*
Model*
Frequency Tolerance (@25°C)*
Frequency Stability (over operating temperature range)*
Operating Temperature Range*
Load Capacitance*
Overtone
- Example:
30.0MHz IQXC-42
30/50/-40 to 85C/16 FUND

Compliance

- RoHS Status (2015/863/EU): Compliant
- REACH Status: Compliant
- MSL Rating (JDEC-STD-033): Not Applicable

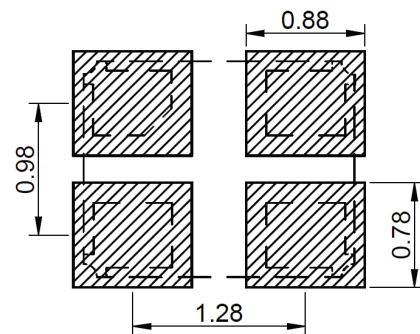


Outline (mm)



Note: The pad style on the base of the device may differ slightly from the drawing. The chamfer may appear on pad 2 or 4. This causes no change to the electrical performance of the device.

Recommended solder pad layout



Sales Office Contact Details:

UK: +44 (0)1460 270200

Email: info@iqdfrequencyproducts.com

Web: www.iqdfrequencyproducts.com

Packaging Details

- Tape & reel in accordance with EIA-481
 Quantities below the standard reel size to be supplied on cut tape.
 Standard Pack Quantity: 3,000

Electrical Specification - maximum limiting values

Frequency Min	Frequency Max	Temperature Range	Stability (Min)	Over Tone Order	ESR
		°C	ppm		Ω
16.0MHz	19.999999MHz	-20 to 70	±15	Fundamental	200
		-40 to 85	±20		200
		-40 to 105	±50		200
		-40 to 125	±100		200
20.0MHz	24.999999MHz	-20 to 70	±15	Fundamental	120
		-40 to 85	±20		120
		-40 to 105	±50		120
		-40 to 125	±100		120
25.0MHz	39.999999MHz	-20 to 70	±15	Fundamental	100
		-40 to 85	±20		100
		-40 to 105	±50		100
		-40 to 125	±100		100
40.0MHz	72.0MHz	-20 to 70	±15	Fundamental	60
		-40 to 85	±20		60
		-40 to 105	±50		60
		-40 to 125	±100		60

*Stability Maximum values ±100ppm

This document was correct at the time of printing; please contact your local sales office for the latest version.
[Click to view latest version on our website.](#)

Sales Office Contact Details:

UK: +44 (0)1460 270200

Email: info@iqdfrequencyproducts.com

Web: www.iqdfrequencyproducts.com