

SMA-A0207FTDT220R ✓ ACTIVE

Neohm | Neohm SMA-A

TE Internal #: 4-2176316-2

220 ohm, Surface Mount Precision Resistor, Thin Film, 0207, 1 W, 1 %, ± 50 ppm/ $^{\circ}\text{C}$, Metal Electrode Leadless Face (MELF), 2 Terminations, Neohm SMA-A

[View on TE.com >](#)



Passive Components > Resistors > Surface Mount Resistors



Resistance Value: 220 Ω

Resistor Type: Precision Resistor

Element Type: Thin Film

Package Size Code: 0207

Power Rating: 1 W

Features

Dimensions

| | |
|------------------|-----------------|
| Product Diameter | 2.2 mm[.087 in] |
| Product Length | 5.9 mm[.232 in] |

Usage Conditions

| | |
|-----------------------------|----------------------------------|
| Operating Temperature Range | -55 – 155 $^{\circ}\text{C}$ |
| Temperature Coefficient | ± 50 ppm/ $^{\circ}\text{C}$ |

Electrical Characteristics

| | |
|-----------------------------|-------------------|
| Resistance Value | 220 Ω |
| Power Rating | 1 W |
| Resistance Class | Up to 1k Ω |
| Passive Component Tolerance | 1 % |

Product Type Features

| | |
|-------------------|--------------------|
| Resistor Type | Precision Resistor |
| Element Type | Thin Film |
| Package Size Code | 0207 |

Configuration Features

| | |
|---------------------|---|
| Number of Resistors | 1 |
|---------------------|---|

Termination Features

| | |
|---|--------------------------------------|
| Surface Mount Resistor Termination Type | Metal Electrode Leadless Face (MELF) |
| Number of Terminations | 2 |

Packaging Features

| | |
|------------------|----------------|
| Packaging Method | Taped & Reeled |
|------------------|----------------|

Other

| | |
|--------------------|-----------|
| EU RoHS Compliance | Compliant |
| EU ELV Compliance | Compliant |

Product Compliance

[For compliance documentation, visit the product page on TE.com>](#)

| | |
|---|---|
| EU RoHS Directive 2011/65/EU | Compliant |
| EU ELV Directive 2000/53/EC | Compliant |
| China RoHS 2 Directive MIIT Order No 32, 2016 | No Restricted Materials Above Threshold |
| EU REACH Regulation (EC) No. 1907/2006 | Current ECHA Candidate List: JUNE 2024 (241) Candidate List Declared Against: JUNE 2024 (241) Does not contain REACH SVHC |
| Halogen Content | Low Halogen - Br, Cl, F, I < 900 ppm per homogenous material. Also BFR/CFR/PVC Free |
| Solder Process Capability | Reflow solder capable to 260°C |

Product Compliance Disclaimer

This information is provided based on reasonable inquiry of our suppliers and represents our current actual knowledge based on the information they provided. This information is subject to change. The part numbers that TE has identified as EU RoHS compliant have a maximum concentration of 0.1% by weight in homogenous materials for lead, hexavalent chromium, mercury, PBB, PBDE, DBP, BBP, DEHP, DIBP, and 0.01% for cadmium, or qualify for an exemption to these limits as defined in the Annexes of Directive 2011/65/EU (RoHS2). Finished electrical and electronic equipment products will be CE marked as required by Directive 2011/65/EU. Components may not be CE marked. Additionally, the part numbers that TE has identified as EU ELV compliant have a maximum concentration of 0.1% by weight in homogenous materials for lead, hexavalent chromium, and mercury, and 0.01% for cadmium, or qualify for an exemption to these limits as defined in the Annexes of Directive 2000/53/EC (ELV). Regarding the REACH Regulation, the information TE provides on SVHC in articles for this part number is based on the latest European Chemicals Agency (ECHA) 'Guidance on requirements for substances in articles' posted at this URL: <https://echa.europa.eu/guidance-documents/guidance-on-reach>

Compatible Parts



TE Part # 9-2176316-4
MELF SMA-A 330K 1% 50PPM 0207 1W



TE Part # 9-2176315-8
MELF SMA-A 1M0 1% 50PPM 0204 0.4W



TE Part # 3-2176315-2
MELF SMA_A 39K 0.1% 15PPM 0204 0.4W



TE Part # 2176316-5
MELF SMA_A 220R 0.1% 15PPM 0207 1W



TE Part # 6-2176314-9
MELF SMA-A 10R 1% 50PPM 0102 0.3W

Also in the Series | Neohm SMA-A



Surface Mount Resistors(270)

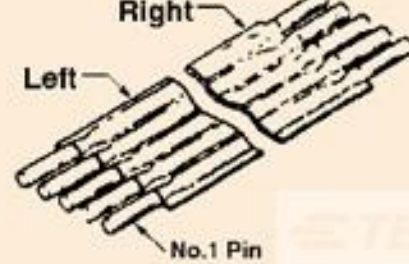
Customers Also Bought



TE Part #9-1879354-5
RR03 5% 2K7 AMMO



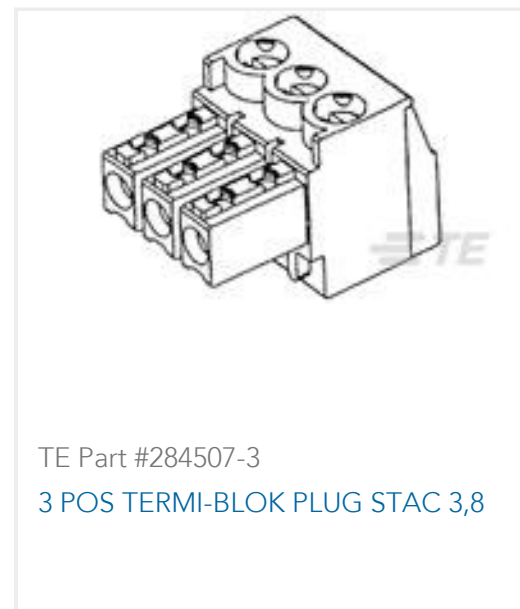
TE Part #5-1123723-5
3.96 EP HDR ASSY 5P(BLACK)



TE Part #2-1474644-7
FSN-21A-4



TE Part #8-215464-0
10P.MICRO-MATCH MOB



Documents

Product Drawings

[MELF SMA_A 220R 1% 50PPM 0207 1W](#)

English

CAD Files

[3D PDF](#)

3D

Customer View Model

[ENG_CVM_CVM_4-2176316-2_BA.2d_dxf.zip](#)

English

Customer View Model

[ENG_CVM_CVM_4-2176316-2_BA.3d_igs.zip](#)

English

Customer View Model

[ENG_CVM_CVM_4-2176316-2_BA.3d_stp.zip](#)

English

By downloading the CAD file I accept and agree to the [Terms and Conditions](#) of use.

Datasheets & Catalog Pages

[SMA-A-1017](#)

English