

MTC-SST | Latch clamps

Stainless steel



MATERIAL

AISI 304 stainless steel.

RIVETS

AISI 304 stainless steel.

PULLING HOOK

Parallel to clamping arm, AISI 304 stainless steel.

OSCILLATING PIN AND NUTS

AISI 303 stainless steel.

HANDLE

Polyurethane, red colour.

FEATURES AND APPLICATIONS

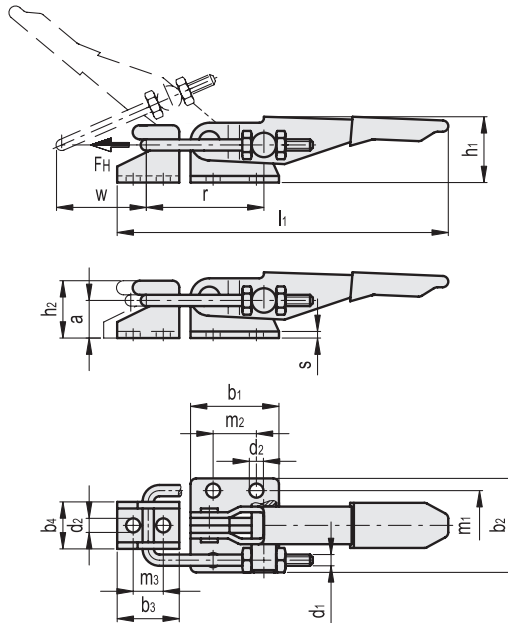
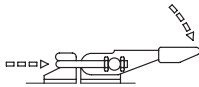
All articulated joints are lubricated with special grease.

MTC. clamps ensure tight closing of any cover.

The position of the pulling hook can be adjusted according to specific applications.

ACCESSORIES ON REQUEST

TRU: U-shaped pulling hooks of various dimensions (see page).



INOX STAINLESS STEEL **METRIC**

Code	Description	a	b1	b2	b3	b4	d1	d2	h1	h2	l1	m1	m2	m3	r	s	Stroke w	FH [N]*	⚖️
GG.AS500	MTC.160-T2X	12	26	28	20	14	M4	4.3	25	18	98	19	16	10	35+44	2	25	1600	85
GG.AS505	MTC.320-T2X	16	40	44	28	22	M6	6.5	30	25	152	32	19	14.3	54+63	3	48	3200	250
GG.AS510	MTC.700-T2X	24	60	54	38	26	M8	8.5	42	36	220	38	41.5	19	70+90	3.5	58	7000	600

* Holding force.