



LED Illuminated Round Rocker

Specifications

Switch Function	SPST	Contact Resistance	≤ 50mΩ initial
Electrical Ratings	UL 61058-1 15A @ 125VAC General Purpose 10A @ 250VAC General Purpose	Dielectric Strength	1500Vrms min
Electrical Life	10,000 cycles typical	Insulation Resistance	≥ 100MΩ min
		Operating Temperature	-20°C to +70°C
		Storage Temperature	-20°C to +70°C
		Sealing Degree	IP40

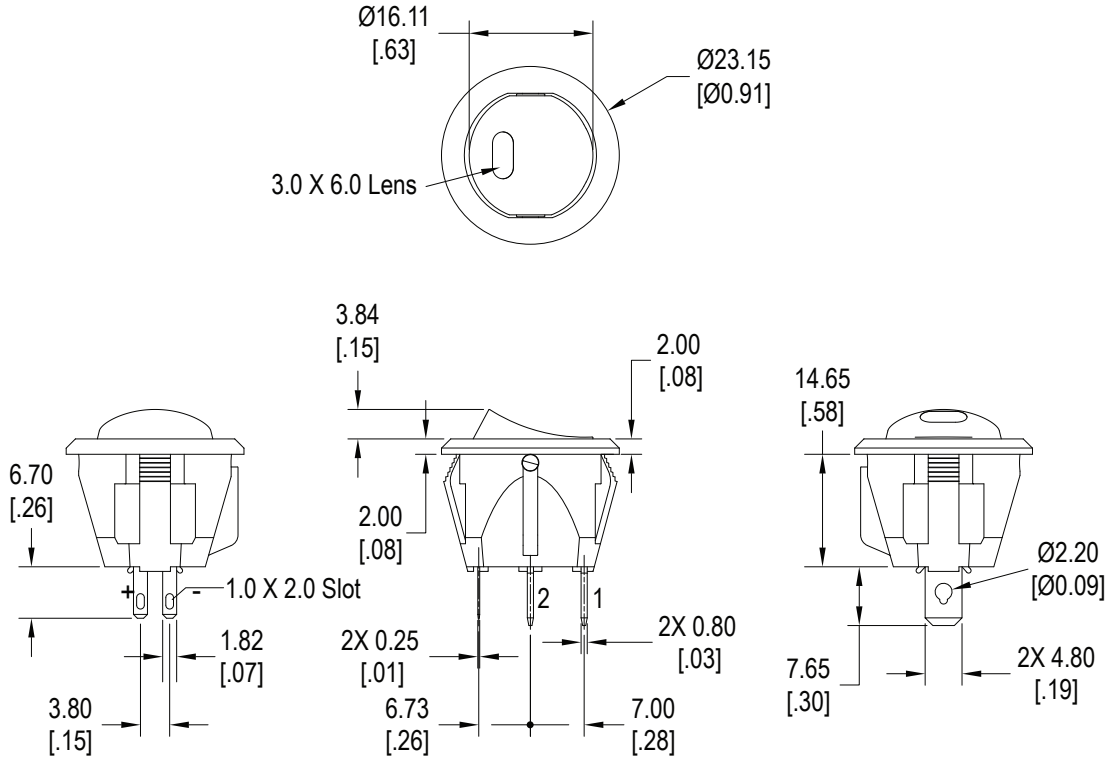
Materials

Housing	6/6 Nylon
Actuator	6/6 Nylon
Actuator Lens	Polycarbonate (PC)
Contacts	Silver Alloy
Terminals	Brass, Silver Plated

Ordering Information

1. Series	RR2	1	1	2	2	3T	C	R	12
RR2									
2. Number of Poles	1 = Single Pole								
3. Switch Function	1 = OFF - ON								
4. Housing Color	1 = White 2 = Black 9 = Gray								
5. Actuator Colors	1 = White 2 = Black 3 = Red			4 = Yellow 5 = Green 6 = Orange			7 = Blue 8 = Purple 9 = Gray		
6. Lens Colors	0T = Clear (Transparent) 3T = Red (Transparent) 4T = Yellow (Transparent) 5T = Green (Transparent) 7T = Blue (Transparent)								
7. Terminal Option	C = .187" Quick Connect / Solder Lug								
8. LED Colors	R = Red G = Green Y = Yellow B = Blue PG = Pure Green W = White RY = Red/Yellow dual LED RG = Red/Green dual LED RB = Red/Blue dual LED YG = Yellow/Green dual LED YB = Yellow/Blue dual LED GB = Green/Blue dual LED								
9. LED Voltage Option	Blank = No internal resistor 12 = 12V 24 = 24V								

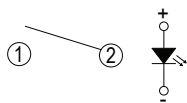
Dimensions



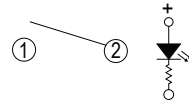
Function	Position 1	Position 2	Position 3
1	OFF	NONE	ON
Terminals	—	—	2 ~ 1

Schematics

No Internal Resistor

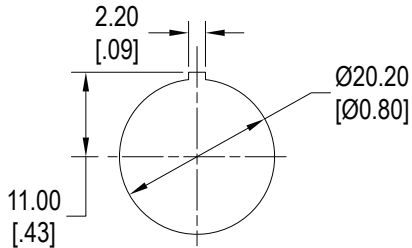


Internal Resistor



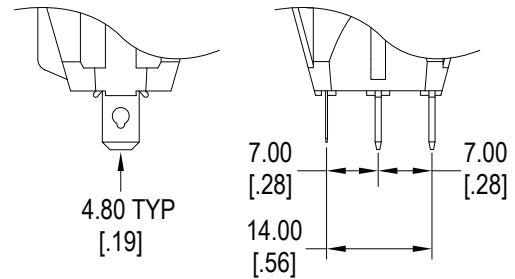
Panel Cut Out

Panel cut out material thickness : 0.8mm ~ 3.0mm



Terminal Options

C



LED Characteristics

LED Ratings		Color							Units
		R	Y	G	B	PG	W		
Reverse Voltage	V_R	5	5	5	5	5	5	V	
Forward Current (avg)	I_F	30	30	30	30	30	30	mA	
Forward Current (peak)	I_{FS}	120	125	125	125	125	125	mA	
Reverse Current $V_R = 5V$	I_R	10	10	10	10	10	10	μA	
Power Dissipation	P_T	75	78	75	114	108	114	mW	
Operating & Storage Temperature	T_A	-40 ~ +85						C°	
Forward Voltage (typ) $I_F = 20mA$	V_F	2.1	2.1	2.0	3.3	3.1	3.3	V	
Forward Voltage (max) $I_F = 20mA$	V_F	2.6	2.6	2.5	3.8	3.6	3.8	V	
Wavelength at Peak Emmission $I_F = 20mA$	λ_P	660	585	572	460	515	n/a	nm	
Spectral Line Half-Width $I_F = 20mA$	$\Delta\lambda$	25	37	20	30	33	n/a	nm	
Luminous Intensity, $I_F = 20mA$	LI	50	10	60	120	700	800	mcd	
Viewing Angle	Θ	120	120	120	120	120	120	deg	