

RT-375-1/8-X-STK ☐ SUPERSEDED

RAYCHEM | RAYCHEM RT-375

TE Internal #: 5460872007

TE Internal Description: RT-375-1/8-X-STK

Mil-Spec: [M23053/18-204-C]

[View on TE.com >](#)



Product Compliance

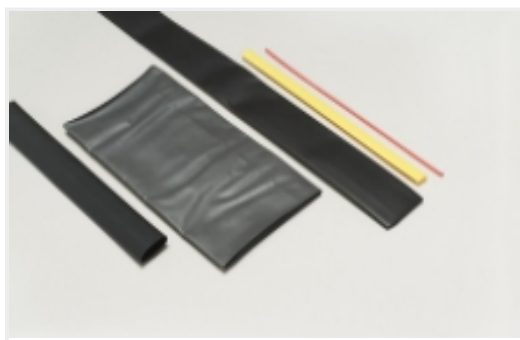
[For compliance documentation, visit the product page on TE.com>](#)

EU RoHS Directive 2011/65/EU	Compliant
EU ELV Directive 2000/53/EC	Compliant
China RoHS 2 Directive MIIT Order No 32, 2016	No Restricted Materials Above Threshold
EU REACH Regulation (EC) No. 1907/2006	Current ECHA Candidate List: JUNE 2024 (241) Candidate List Declared Against: JAN 2021 (211) Does not contain REACH SVHC
Halogen Content	Not Low Halogen - contains Br or Cl > 900 ppm.
Solder Process Capability	Not applicable for solder process capability

Product Compliance Disclaimer

This information is provided based on reasonable inquiry of our suppliers and represents our current actual knowledge based on the information they provided. This information is subject to change. The part numbers that TE has identified as EU RoHS compliant have a maximum concentration of 0.1% by weight in homogenous materials for lead, hexavalent chromium, mercury, PBB, PBDE, DBP, BBP, DEHP, DIBP, and 0.01% for cadmium, or qualify for an exemption to these limits as defined in the Annexes of Directive 2011/65/EU (RoHS2). Finished electrical and electronic equipment products will be CE marked as required by Directive 2011/65/EU. Components may not be CE marked. Additionally, the part numbers that TE has identified as EU ELV compliant have a maximum concentration of 0.1% by weight in homogenous materials for lead, hexavalent chromium, and mercury, and 0.01% for cadmium, or qualify for an exemption to these limits as defined in the Annexes of Directive 2000/53/EC (ELV). Regarding the REACH Regulation, the information TE provides on SVHC in articles for this part number is based on the latest European Chemicals Agency (ECHA) 'Guidance on requirements for substances in articles' posted at this URL: <https://echa.europa.eu/guidance-documents/guidance-on-reach>

Also in the Series | [RAYCHEM RT-375](#)

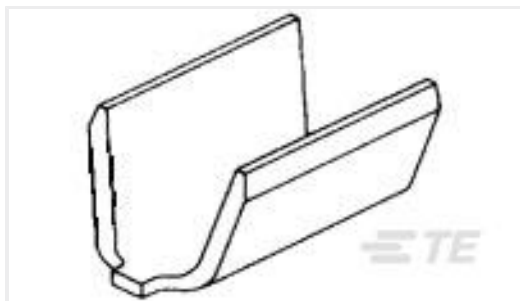


Heat Shrink Tubing(32)



Single Wall Tubing(32)

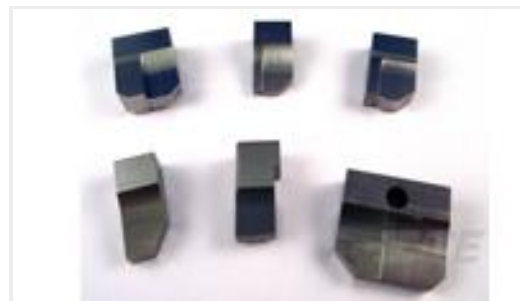
Customers Also Bought



TE Part #485020-1
SPLICE 6000-8000 .020 TPST



TE Part #1393105-7
KRPA-5DY-24=KRPA



TE Part #690750-5
ANVIL



TE Part #679857-2
CRIMPER, WIRE "F"



TE Part #42563-6
250 FASTON FLAG REC 12-10 AWG
SPBZ



TE Part #3-1393104-8
KRPA-11AY-240=KRPA



TE Part #11026329-00
44005RC,THERM,ROHS



TE Part #6-1611010-2
3100-30T10999CG=40A 3P 120V MO



TE Part #9-1393101-0
KRP-11DG-6=KA/KB/KC/KR



TE Part #459722-4
BLADE SHEAR

Documents

[Datasheets & Catalog Pages](#)

[Measuring_Single_Wall_Tubing](#)

English

[RT-375 Pages from 9-1773447-9](#)

English

[Selecting_Correct_Tubing_1216](#)

English

[Very Clear, Thin-Wall, Flexible, Fluoropolymer Heat-Shrinkable Tubing](#)



English

Product Specifications

Tubing Customer Specification Report

English

Product Specification

English

Product Specification

Japanese