



RAYCHEM

TE Internal #: 4516513001

1300 V / 750 V, Tin-Plated Copper, 15 AWG, 1.5 mm<sup>2</sup> Wire, -55 – 125 °C, Hook Up Wire

[View on TE.com >](#)

Wire & Cable > Hook Up Wire



Cable Type: **Spec 100G**

Operating Voltage: **1300 V, 750 V**

Wire & Cable Insulation Material: **Halogen-Free Polymer**

Conductor Material: **Tin-Plated Copper**

Wire Size: **15 AWG**

**Features**

**Configuration Features**

Number of Strands	37
Number of Conductors	1

**Product Type Features**

Cable Style	Primary
-------------	---------

**Other**

Product Source	UK
EU RoHS Compliance	Compliant
EU ELV Compliance	Compliant

**Dimensions**

Strand Size	37 AWG
Outside Cable Diameter	2.1 mm[.083 in]
Cable Insulation Thickness	.2 mm
Conductor Diameter Range	1.52 mm[.06 in]
Wire Size	1.5 mm <sup>2</sup>

**Usage Conditions**

Cable Type	Spec 100G
Operating Temperature Range	-55 – 125 °C

### Electrical Characteristics

Operating Voltage	1300 V, 750 V
-------------------	---------------

### Body Features

Wire & Cable Insulation Material	Halogen-Free Polymer
----------------------------------	----------------------

Conductor Material	Tin-Plated Copper
--------------------	-------------------

Wire Color (Base)	Red
-------------------	-----

### Product Compliance

[For compliance documentation, visit the product page on TE.com>](#)

EU RoHS Directive 2011/65/EU	Compliant
------------------------------	-----------

EU ELV Directive 2000/53/EC	Compliant
-----------------------------	-----------

China RoHS 2 Directive MIIT Order No 32, 2016	No Restricted Materials Above Threshold
---	---

EU REACH Regulation (EC) No. 1907/2006	Current ECHA Candidate List: JUNE 2024 (241) Candidate List Declared Against: JAN 2024 (240) Does not contain REACH SVHC
--	--

Halogen Content	Out of Scope - excluded from Halogen requirements
-----------------	---

Solder Process Capability	Not applicable for solder process capability
---------------------------	--

#### Product Compliance Disclaimer

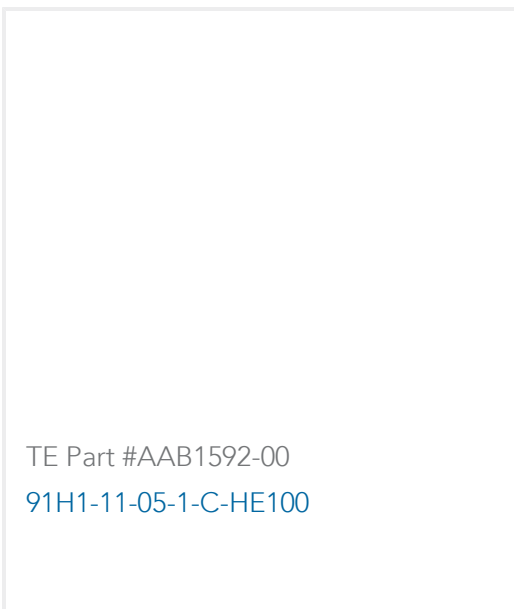
This information is provided based on reasonable inquiry of our suppliers and represents our current actual knowledge based on the information they provided. This information is subject to change. The part numbers that TE has identified as EU RoHS compliant have a maximum concentration of 0.1% by weight in homogenous materials for lead, hexavalent chromium, mercury, PBB, PBDE, DBP, BBP, DEHP, DIBP, and 0.01% for cadmium, or qualify for an exemption to these limits as defined in the Annexes of Directive 2011/65/EU (RoHS2). Finished electrical and electronic equipment products will be CE marked as required by Directive 2011/65/EU. Components may not be CE marked. Additionally, the part numbers that TE has identified as EU ELV compliant have a maximum concentration of 0.1% by weight in homogenous materials for lead, hexavalent chromium, and mercury, and 0.01% for cadmium, or qualify for an exemption to these limits as defined in the Annexes of Directive 2000/53/EC (ELV). Regarding the REACH Regulation, the information TE provides on SVHC in articles for this part number is based on the latest European Chemicals Agency (ECHA) 'Guidance on requirements for substances in articles' posted at this URL: <https://echa.europa.eu/guidance-documents/guidance-on-reach>

### Compatible Parts

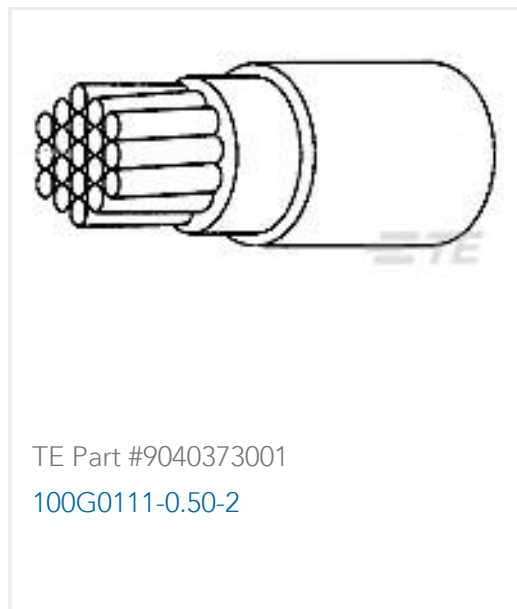


TE Part # 650076-000  
D-436-38

### Customers Also Bought



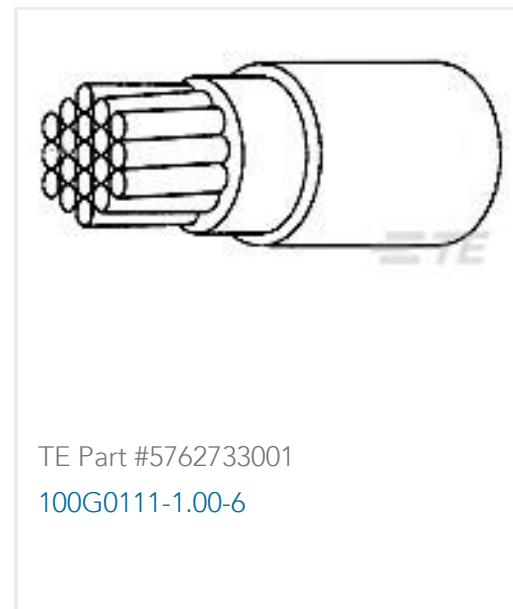
TE Part #AAB1592-00  
91H1-11-05-1-C-HE100



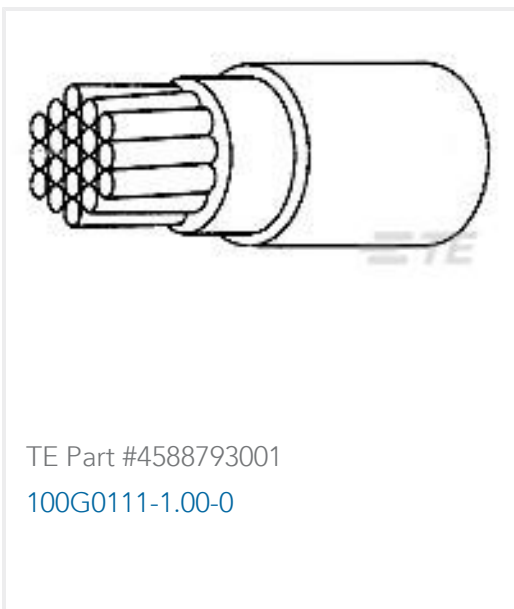
TE Part #9040373001  
100G0111-0.50-2



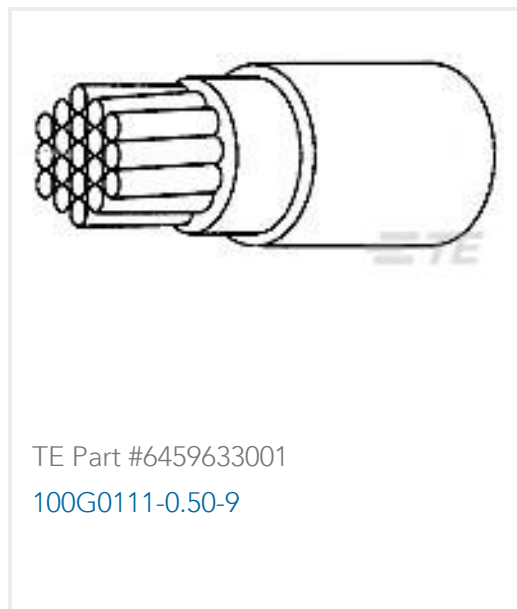
TE Part #280530-3  
MOD II COSI RECP CONT STR PRE



TE Part #5762733001  
100G0111-1.00-6



TE Part #4588793001  
100G0111-1.00-0



TE Part #6459633001  
100G0111-0.50-9



TE Part #1622437-1  
LR1 1% 330K



TE Part #5474213003  
FLHTC0311-1.00-2



TE Part #2198618-9  
Ni Pltd Plastic Backshell, 9 Way, 45 Deg



TE Part #1106461-7  
EMVK24STO1M25+1M32G

### Documents

#### Product Drawings

[100G0111-1.50-2](#)

English

#### Datasheets & Catalog Pages

[1654025\\_Sec9\\_Zerohal100G](#)

English