



Wire & Cable > Hook Up Wire



Cable Type: **FlexLite HT**

Operating Voltage: **600 V**

Wire & Cable Insulation Material: **Radiation-Crosslinked, Modified ETFE**

Conductor Material: **Tin-Plated Copper**

Wire Size: **22 AWG**

## Features

### Configuration Features

Number of Strands	19
Number of Conductors	1

### Product Type Features

Cable Style	Primary, Stranded
-------------	-------------------

### Dimensions

Strand Size	35 AWG
Weight (Nominal)	4.22 kg/km
Outside Cable Diameter	1.12 – 1.19 mm [.044 – .047 in]
Conductor Diameter Range	.7 – .76 mm [.275 – .029 in]
Cable Insulation Thickness	.15 mm [.006 in]
Wire Size	.35 mm <sup>2</sup>

### Electrical Characteristics

Resistance Rating Conditions (Max)	56.1 Ω/1000 ft @ 68°F
Operating Voltage	600 V

### Usage Conditions

Cable Type	FlexLite HT
Operating Temperature Range	-65 – 200 °C



### Body Features

Wire & Cable Insulation Material	Radiation-Crosslinked, Modified ETFE
Conductor Material	Tin-Plated Copper
Wire Color (Base)	Red

### Other

EU RoHS Compliance	Compliant
EU ELV Compliance	Compliant

### Product Compliance

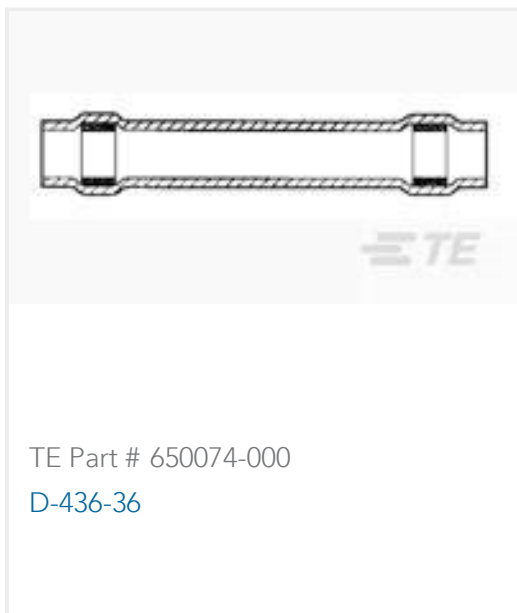
[For compliance documentation, visit the product page on TE.com>](#)

EU RoHS Directive 2011/65/EU	Compliant
EU ELV Directive 2000/53/EC	Compliant
China RoHS 2 Directive MIIT Order No 32, 2016	No Restricted Materials Above Threshold
EU REACH Regulation (EC) No. 1907/2006	Current ECHA Candidate List: JUNE 2024 (241) Candidate List Declared Against: JUNE 2024 (241) Does not contain REACH SVHC
Halogen Content	Not Low Halogen - contains Br or Cl > 900 ppm.
Solder Process Capability	Not applicable for solder process capability

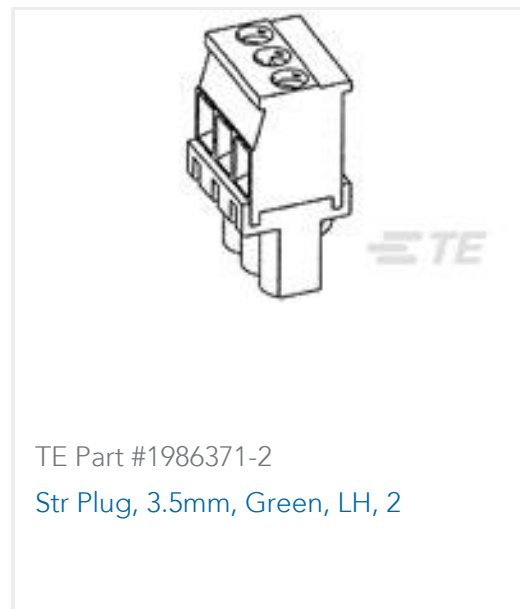
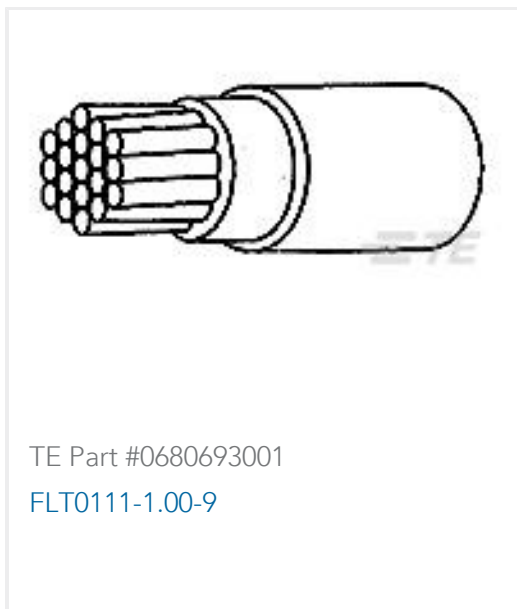
#### Product Compliance Disclaimer

This information is provided based on reasonable inquiry of our suppliers and represents our current actual knowledge based on the information they provided. This information is subject to change. The part numbers that TE has identified as EU RoHS compliant have a maximum concentration of 0.1% by weight in homogenous materials for lead, hexavalent chromium, mercury, PBB, PBDE, DBP, BBP, DEHP, DIBP, and 0.01% for cadmium, or qualify for an exemption to these limits as defined in the Annexes of Directive 2011/65/EU (RoHS2). Finished electrical and electronic equipment products will be CE marked as required by Directive 2011/65/EU. Components may not be CE marked. Additionally, the part numbers that TE has identified as EU ELV compliant have a maximum concentration of 0.1% by weight in homogenous materials for lead, hexavalent chromium, and mercury, and 0.01% for cadmium, or qualify for an exemption to these limits as defined in the Annexes of Directive 2000/53/EC (ELV). Regarding the REACH Regulation, the information TE provides on SVHC in articles for this part number is based on the latest European Chemicals Agency (ECHA) 'Guidance on requirements for substances in articles' posted at this URL: <https://echa.europa.eu/guidance-documents/guidance-on-reach>

### Compatible Parts



## Customers Also Bought



## Documents

### Product Drawings

[FLHTC0311-0.35-2](#)

English

### Datasheets & Catalog Pages

[1654025\\_Sec9\\_FlexLite](#)

English